

# Lexicon<sup>®</sup>


by HARMAN



## *DD-8 Power Amplifier*

## *User Guide*

# IMPORTANT SAFETY INSTRUCTIONS

1. Read these instructions.
  2. Keep these instructions.
  3. Heed all warnings.
  4. Follow all instructions.
  5. Do not use this apparatus near water.
  6. Clean only with a dry cloth.
  7. Do not block any ventilation openings. Install in accordance with the manufacturer's instructions.
  8. Do not install near any heat sources such as radiators, heat registers, stoves, or other apparatus (including amplifiers) that produce heat.
  9. Do not defeat the safety purpose of the polarized or grounding-type plug. A polarized plug has two blades with one wider than the other. A grounding-type plug has two blades and a third grounding prong. The wide blade or the third prong is provided for your safety. If the provided plug does not fit into your outlet, consult an electrician for replacement of the obsolete outlet.
  10. Protect the power cord from being walked on or pinched, particularly at plugs, convenience receptacles, and the point where they exit from the apparatus.
  11. Only use attachments/accessories specified by the manufacturer.
- 

12. Use only with a cart, stand, tripod, bracket, or table specified by the manufacturer, or sold with the apparatus. When a cart is used, use caution when moving the cart/apparatus combination to avoid injury from tip-over.
13. Unplug this apparatus during lightning storms or when unused for long periods of time.
  14. Refer all servicing to qualified service personnel. Servicing is required when the apparatus has been damaged in any way, such as power-supply cord or plug is damaged, liquid has been spilled or objects have fallen into the apparatus, the apparatus has been exposed to rain or moisture, does not operate normally, or has been dropped.
  15. Use the mains plug to disconnect the apparatus from the mains.
  16. **WARNING:** TO REDUCE THE RISK OF FIRE OR ELECTRIC SHOCK, DO NOT EXPOSE THIS APPARATUS TO RAIN OR MOISTURE.



17. DO NOT EXPOSE THIS EQUIPMENT TO DRIPPING OR SPLASHING AND ENSURE THAT NO OBJECTS FILLED WITH LIQUIDS, SUCH AS VASES, ARE PLACED ON THE EQUIPMENT.

18. THE MAINS PLUG OF THE POWER SUPPLY CORD SHALL REMAIN READILY OPERABLE.



TO PREVENT ELECTRIC SHOCK DO NOT REMOVE TOP OR BOTTOM COVERS. NO USER SERVICEABLE PARTS INSIDE. REFER SERVICING TO QUALIFIED SERVICE PERSONNEL.



TO COMPLETELY DISCONNECT THIS EQUIPMENT FROM THE AC MAINS, DISCONNECT THE POWER SUPPLY CORD PLUG FROM THE AC RECEPTACLE. THE MAINS PLUG OF THE POWER SUPPLY CORD SHALL REMAIN READILY OPERABLE.



### WATCH FOR THESE SYMBOLS:



The lightning bolt triangle is used to alert the user to the risk of electric shock.



The exclamation point triangle is used to alert the user to important operating or maintenance instructions.

### IMPORTANT



DD-8 amplifiers require Class 2 output wiring.

### MAGNETIC FIELD

**CAUTION!** Do not locate sensitive high-gain equipment such as preamplifiers or tape decks directly above or below the unit. Because this amplifier has a high power density, it has a strong magnetic field which can induce hum into unshielded devices that are located nearby. The field is strongest just above and below the unit.

If an equipment rack is used, we recommend locating the amplifier(s) in the bottom of the rack and the preamplifier or other sensitive equipment at the top.

## DECLARATION OF CONFORMITY

**Issued By:** Harman International.  
1718 W. Mishawaka Rd.  
Elkhart, IN 46517 U.S.A.

FOR FIELD SERVICE  
QUESTIONS CALL: 1 800 691 4171

**European Representative's Name and Address:**

Andy Baker  
Cranborne House, Cranborne Rd.  
Potters Bar, Hertfordshire EN6 3JN  
United Kingdom

**Equipment Type:** Power amplifier. **Family Name:** DD Series. **Model Names:** DD-8

**EMC Standards:**

**EN 55022:2006 + A1:2007** Limits and Methods of Measurement of Radio Disturbance Characteristics of ITE: Radiated, Class B Limits; Conducted, Class B

**EN 61000-4-2:2008 Ed 2.0** Electrostatic Discharge Immunity (Environment E2-Criteria B, 4k V Contact, 8k V Air Discharge)

**EN 61000-4-3:2010 Ed 3.2** Radiated, Radio-Frequency, EMC Immunity (Environment E2, Criteria A)

**EN 61000-4-4:2007** Electrical Fast Transient/Burst Immunity (Criteria B)

**EN 61000-4-5:2006** Surge Immunity (Criteria B)

**EN 61000-4-6:2006** Immunity to Conducted Disturbances Induced by Radio-Frequency Fields (Criteria A)

**EN 61000-4-11:2004** Voltage Dips, Short Interruptions and Voltage Variation

**EN 61000-3-2:2005 + A1:2008** Limits for Harmonic Current Emissions (equipment input current less than or equal to 16A.


**EN 61000-3-3:2008** Limitation of Voltage Fluctuations and Flicker in Low-Voltage Supply systems Rated Current less than or equal to 16A

**Safety Standard:**

**IEC 60065:2001 Ed 7 +A1:2005** Safety Requirements – Audio, Video, and Similar Electronic Apparatus

I certify that the product identified above conforms to the requirements of the EMC Council Directive 2004/108/EC and the Low Voltage Directive 2006/95/EC.

Signed



Bob Chadderton  
Title: Director of Engineering

Date of Issue: June 1, 2011

**Obtaining Other Language Versions:**

To obtain information in another language about the use of this product, please contact your local Lexicon Distributor. If you need assistance locating your local distributor, please contact Lexicon at 888-691-4171.

This manual does not include all of the details of design, production, or variations of the equipment. Nor does it cover every possible situation which may arise during installation, operation or maintenance.

The information provided in this manual was deemed accurate as of the publication date. However, updates to this information may have occurred. To obtain the latest version of this manual, please visit the Lexicon website at [www.lexicon.com](http://www.lexicon.com).

**Trademark Notice:**

Lexicon and the Lexicon logo are registered trademarks of Harman International Industries, Inc.

Later versions of this manual and additional information about this product may be available at the Lexicon website at [www.lexicon.com](http://www.lexicon.com).

©2011 by Harman International,  
1718 W. Mishawaka Rd., Elkhart, Indiana 46517 U.S.A. Telephone: 800-691-4171.

## DOCUMENTATION CONVENTIONS

This document contains general safety, installation, and operating instructions for the DD-8 Power Amplifier. It is important to read this user guide before attempting to use this product. Pay particular attention to safety instructions.

**The following symbols are used in this document:**



Appears on the component to indicate the presence of uninsulated, dangerous voltage inside the enclosure – voltage that may be sufficient to constitute a risk of shock.



Appears on the component to indicate important operating and maintenance instructions in the accompanying literature.

**CAUTION**

Calls attention to a procedure, practice, condition or the like that, if not correctly performed or adhered to, could result in injury or death.

**WARNING**

Calls attention to a procedure, practice, condition or the like that, if not correctly performed or adhered to, could result in damage to or destruction of part or all of the product.

**NOTE:** Calls attention to information that is essential to highlight.

### FCC COMPLIANCE NOTICE

This device complies with part 15 of the FCC rules. Operation is subject to the following two conditions: (1) This device may not cause harmful interference, and (2) this device must accept any interference received, including interference that may cause undesired operation.

**CAUTION:** Changes or modifications not expressly approved by the party responsible for compliance could void the user's authority to operate the equipment.

**NOTE:** This equipment has been tested and found to comply with the limits for a Class B digital device, pursuant to part 15 of the FCC Rules. These limits are designed to provide reasonable protection against harmful interference in a residential installation. This equipment generates, uses, and can radiate radio frequency energy and, if not installed and used in accordance with the instruction manual, may cause harmful interference to radio communications. However, there is no guarantee that interference will not occur in a particular installation. If this equipment does cause harmful interference to radio or television reception, which can be determined by turning the equipment off and on, the user is encouraged to try to correct the interference by one or more of the following measures:

- Reorient or relocate the receiving antenna.
- Increase the separation between the equipment and receiver.
- Connect the equipment into an outlet on a circuit different from that to which the receiver is connected.
- Consult the dealer or an experienced radio/TV technician for help.

## GETTING STARTED

Thank you for purchasing your new Lexicon DD-8 Multi-room Amplifier. The DD-8 features patented DriveCore™ technology, delivering unprecedented levels of power from an amazingly small and lightweight product. DriveCore takes more than 500 discrete components typically found in a switching amplifier and fuses them onto a single silicon chip about the size of a dime. Coupled with a power supply, this chip is capable of generating big output levels into a wide variety of speaker loads giving you the flexibility to power almost any speaker from small in-ceilings to large in-room floorstanding models.

In order to receive the maximum peak performance from your Lexicon amplifier, please take a few minutes and completely read this manual. This important information will help you make certain that your DD-8 is properly configured for operation with the rest of the equipment in your system.

### Highlights

- Multi-patented DriveCore™ amplifier technology
- 8-channels each with 125W into 8-ohms, all channels driven
- Four stereo, Eight mono, or any combination stereo/mono channel configuration
- Local/Bus RCA input selection for single or multi-zone configuration
- Stereo/Mono selection and independent channel output level controls
- 12V trigger input/output and signal-sensing channel inputs
- Power Save low-power consumption standby mode (less than 0.5W)
- Front panel standby power switch with indicator LED
- Front panel channel status indicator LED's
- Short-circuit and thermal protection circuitry
- High-efficiency, quiet convection-cooled design
- Lightweight chassis only one rack space (1U) high

# GETTING STARTED

## Installation Considerations

To ensure optimal performance, pay particular attention to the instructions below and to other precautions that appear throughout this user guide.

**DO** install the DD-8 on a solid, flat, level surface such as a table or shelf. The DD-8 can also be installed in a standard 19-inch equipment rack using the rack-mount ears included with the product.

**DO** select a dry, well-ventilated location out of direct sunlight.

**DO NOT** install the DD-8 on a surface that is unstable or unable to support all four feet.

**DO NOT** expose the DD-8 to high temperatures, humidity, steam, smoke, dampness or excessive dust. Avoid installing the amplifier near radiators and other heat-producing appliances.

**DO NOT** install the DD-8 near unshielded TV or FM antennas, cable TV decoders, or other RF-emitting devices that might cause interference.

**DO NOT** place the DD-8 on a thick rug or carpet, or cover the ventilation holes in the chassis, as this might prevent proper cooling.

**DO NOT** place the DD-8 on a windowsill or any location exposed to direct sunlight.

## Installation Options

The DD-8 is shipped without feet or rack ears installed. Both are included in the packaging and you will need to install one or the other depending upon the type of installation/mounting required. If the DD-8 is to be placed on a shelf or audio furniture, you will need to attach the four plastic feet to the bottom of the amplifier using a #2 Philips screwdriver and the included hardware. (See Figure 1) If the DD-8 is to be mounted into an equipment rack, you will need to attach the two metal rack ears to the left and right sides of the amplifier using the included T-10 Torx key. (See Figure 2)

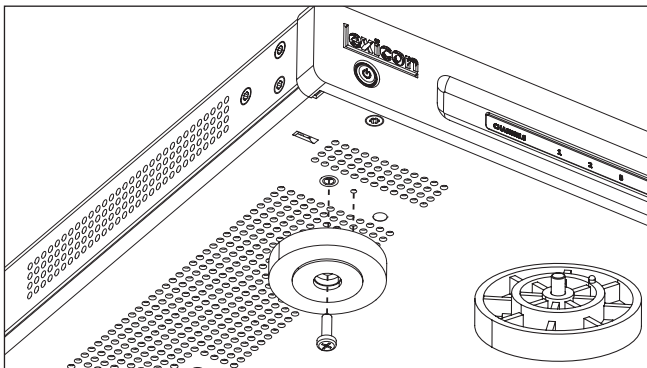


Figure 1. Feet Installation

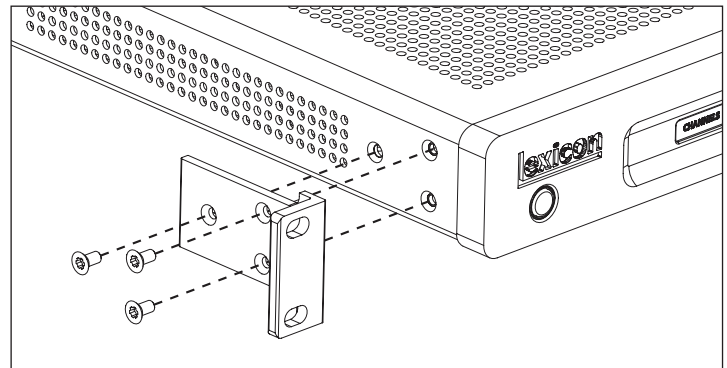
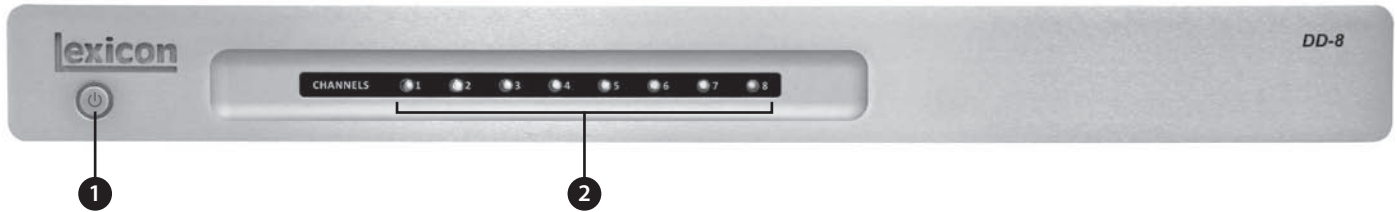


Figure 2. Rack Ears Installation

**NOTE:** If multiple DD-8's are to be rack mounted together, it is acceptable to "flat stack" them one atop the other in adjacent rack spaces without additional ventilation spaces left in between them. However, in some installations or in heavy usage scenarios where multiple channels are consistently driven at high outputs for long periods of time, it might be necessary to leave one empty rack space between the amplifiers in order to assist with heat dissipation and prevent thermal protection due to overheating.

# BASIC OPERATION

## Front Panel



### 1. Standby Button

Activates and deactivates standby mode when the DD-8 amplifier is connected to AC power.

When the DD-8 is connected to AC power, the standby button LED will glow RED indicating that the unit is in the standby mode. In this state, the power amplifier section is not activated and the unit consumes minimal AC power. Pressing the standby button from this state will activate the power amplifier section and the standby button LED will glow BLUE indicating that the DD-8 is powered on.

**NOTE:** When the status of the DD-8 changes or is powered up from standby mode, there may be a delay in audio output and relay clicks may be audible. This is normal operation.

**NOTE:** If the trigger input is used on the DD-8, it will override the standby button operation.

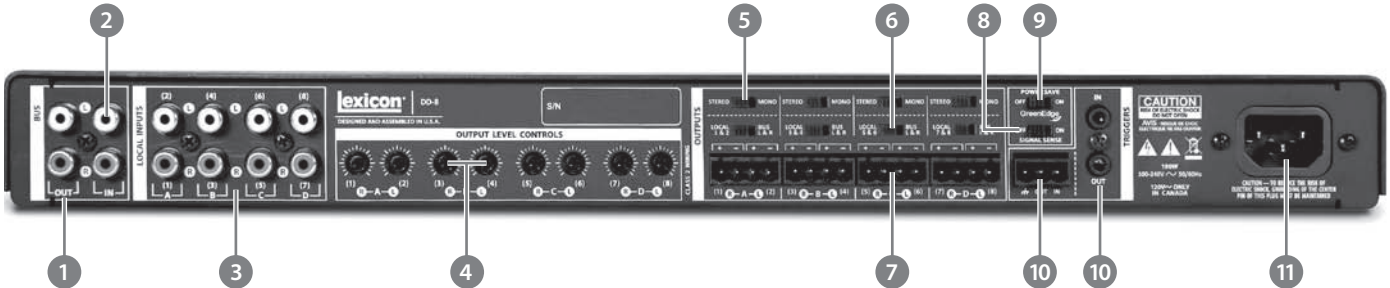
### 2. Channel Status Indicator LED's

Indicates the status of each of the eight amplifier channels when the DD-8 is active.

When a channel is active, its LED indicator will glow BLUE. If the channel is in standby, the LED will be off. If a channel has a fault, the LED will blink BLUE indicating the presence of a short or some other problem related to that channel. (See the troubleshooting section for more information.)

# BASIC OPERATION

## Back Panel



- |                          |                             |
|--------------------------|-----------------------------|
| 1. Bus Output            | 7. Speaker Outputs          |
| 2. Bus Input             | 8. Signal Sense On/Off      |
| 3. Local Inputs          | 9. Power Save On/Off        |
| 4. Output Level Controls | 10. Trigger In/Out          |
| 5. Stereo/Mono Selection | 11. AC Main Power Connector |
| 6. Local/Bus Selection   |                             |



**CAUTION:** Never make or break connections to the DD-8 unless the DD-8 and all associated components are powered off!



**WARNING:** Do not connect the outputs of one channel to the outputs of other channels or to other amplifiers.

### 1. Bus Output

Provides a line-level RCA connector loop/passthru output for connecting multiple DD-8 amplifiers in a system utilizing a single bus input signal.

If the DD-8 is used as a single zone amplifier and the input signal is connected via the Bus Input, that signal can be output via this pair of RCA connectors to additional DD-8 amplifiers connected in the same manner.

**NOTE:** The number of DD-8 amplifiers that can be connected in this manner is limited by the output voltage of the signal source device driving the bus input as it must support the total impedance of all of the bussed devices.

### 2. Bus Input

Provides a line-level RCA connector input to simultaneously feed all speaker output channels utilizing a single bus input signal.

When the DD-8 is used as a single zone amplifier, all channels can be driven using only the bus input without the need for connection to each channel's local input individually. If the bus input is used with the DD-8 configured for stereo operation, the Left input signal will be routed to all four Left speaker outputs and the Right input signal will be routed to all four Right speaker outputs.

If the bus input is used with the DD-8 configured for all mono operation, either the Left or Right Bus Input RCA connector can be used to feed all eight speaker outputs. (See the section on "Stereo/Mono Selection" for more information.) In this case, using only one input connector will attenuate the gain by 6dB. A "Y-adaptor" RCA cable can be used at the input to maintain full gain if desired.



## BASIC OPERATION

### 3. Local Inputs

Provides a line-level RCA connector input to feed a corresponding speaker-level output channel.

When the DD-8 is used as a multi-zone amplifier, each channel can be provided with a dedicated input signal. The signals from this input will only be available on the corresponding speaker-level output.

Local inputs are grouped and identified in pairs with the labels A, B, C and D and channel numbers 1-8 on the rear panel of the DD-8. These labels can be utilized to easily identify corresponding controls and connections for selecting desired output configurations.

### 4. Output Level Controls

Provides speaker-level attenuation for each output channel.

The output level controls function as attenuators for each channel and can be used to level-match speakers in an installation. The center detent is the default position that will be appropriate for most speakers with +13dB or -76dB of adjustment from default available as needed. These controls are labeled in pairs A, B, C and D and with channel numbers 1-8 to easily identify which speaker-level output is being adjusted.

### 5. Stereo/Mono Selection

Selects between Stereo and Mono output configuration for each group of speaker output pairs.

When using the DD-8 in standard stereo operation, select the Stereo position. In this mode, the Left and Right stereo input signals remain intact and are output at the corresponding left and right speaker connection. The DD-8 provides connectivity for four stereo pair of loudspeakers (A, B, C and D) when configured in Stereo mode.

It is possible to combine a stereo bus or local input signal onto two single output channels by selecting the Mono position for that channel pair. This mode is useful for instances where two normally stereo speakers are located far apart and it is desirable to send a combined left and right channel signal to both speakers simultaneously in order to maintain optimal fidelity.

If desired, the DD-8 can be utilized in all mono operation. In this mode, all eight channels can be used independently with either a single mono bus input signal or eight independent mono local input signals. As notated in the bus and local input descriptions, using only one input connector will attenuate the gain by 6dB. A "Y-adaptor" RCA cable can be used at the input to maintain full gain if desired.

### 6. Local/Bus Selection

Selects between Local and Bus inputs for each group of speaker output pairs.

The Local/Bus input selection provides the ability to easily configure the DD-8 either as a single-zone or multi-zone amplifier. The speaker outputs are grouped in pairs A, B, C and D (channels 1-8) with a switch for each pair. For example, selecting the Bus input for speaker output pair A (channels 1 and 2) will route the input signal from the Bus input to speaker output pair A. Selecting the Local input for speaker output pair A (channels 1 and 2) will route the input signal from the Local input pair A (channels 1 and 2) to speaker output pair A.

## BASIC OPERATION

### 7. Speaker Outputs

Provides connection for up to four pair of stereo speakers (eight speakers total) to the DD-8.

Connection to speakers is provided via phoenix-type connectors that accept bare wire terminations. The connectors are grouped in pairs with one connector each for pair A, B, C and D. Each pair consists of four wire terminations: positive (+) and negative (-) for the Left channel and positive (+) and negative (-) for the Right channel. To attach speaker cables to the phoenix connector, strip approximately ¼" of insulation off of the end of the positive and negative leads of the cable and insert the bare ends into the corresponding position of the phoenix connector, tightening the screw terminals on top to secure the termination. Repeat this procedure for each speaker.

**NOTE:** It is recommended to use 16-gauge or larger speaker wire in order to ensure low-impedance connections between the amplifier and speakers. Be sure to observe correct polarity when making connections to speakers: Positive (+) leads to the Positive (+) terminals and Negative (-) leads to the Negative (-) terminals.



**CAUTION: The speaker outputs on the DD-8 are balanced (differential) and should not be connected to any equipment that grounds the Negative (-) terminals.**

### 8. Power Save On/Off

Enables the extreme low-power automatic standby mode of the DD-8.

The DD-8 is a highly efficient design with lower-than-average power consumption at standby, idle and in normal operation mode. The Power Save mode can be enabled to lower standby power consumption even further by disabling all circuitry except that required for the front panel standby button. If the Power Save switch is set to the On position, the DD-8 will automatically revert to standby and enter this extreme low-power state after one hour without signal present at any of the inputs.

If the Power Save switch is in the Off position and the DD-8 is active, it will remain on indefinitely regardless of the presence of input signals until the amplifier is put into standby mode via the front panel standby switch.

**NOTE:** The Power Save function can only be used when operating the DD-8 from the front panel standby button. If a trigger input is being used, it will override the Power Save function.

### 9. Signal Sense On/Off

Enables the audio Signal Sense circuitry for the Bus and Local inputs.

The Signal Sense circuitry allows the DD-8 to activate a channel (1, 2, 3, 4, 5, 6, 7 or 8) when an audio signal is detected at the corresponding input and deactivate a channel (1, 2, 3, 4, 5, 6, 7 or 8) when no audio signal has been present for 30 minutes. When the DD-8 is powered on and the Signal Sense switch is set to the On position, amplifier channels with signal present will be active. Channels without signals present will remain switched off until signals are detected. In this mode, power consumption is lowered by switching off idle channels and audio performance is improved by eliminating crosstalk on adjacent unused channels. In cases where Signal Sense is On and no audio signals are present on any channels for more than 30 minutes, all channels will be switched off and only the front panel standby button will glow blue while the DD-8 continues to monitor all inputs for a signal.

## BASIC OPERATION

**NOTE:** It is possible to have a situation where Signal Sense cannot function if the Power Save feature is also used and has been activated. For example, Signal Sense will deactivate channels without signals after 30 minutes. If all channels are deactivated, Power Save will be enabled after an additional 30 minutes of no signal. During that additional 30 minutes, Signal Sense will continue to function and will activate any channels that receive an incoming audio signal. Once the Power Save standby mode has been enabled, Signal Sense will not be able to function requiring the DD-8 to be turned on again via the front panel standby button.

**NOTE:** In some cases, audio signals with very low output may not activate the Signal Sense circuitry in a timely manner or in some cases, not at all. This could occur with music or audio that begins with very soft or quiet passages or with abnormally low-voltage source signals. If the Signal Sense circuitry will not reliably activate channels within the DD-8, it is suggested to use either the front panel standby button or trigger input control for proper operation.

### 10. Trigger In/Out

Provides connectivity for remote 5-15VDC trigger signals used to activate and deactivate the standby mode of the DD-8.

The Trigger In and Out connections can be used to activate and deactivate the standby mode of the DD-8 from devices such as remote control systems, preamplifiers or other external devices. The Trigger In and Out connections are duplicated for both 1/8" (3.5mm) mono mini-plug and phoenix-style connectors. Use the Trigger In for making connections to external control devices that will activate and deactivate the DD-8 standby mode. The Trigger Out does not provide DC power on its own, but can be used for making Trigger In daisy-chain connections to additional DD-8 amplifiers or other components that need to mimic the DD-8 power state.

**NOTE:** When a remote trigger is connected it will override the front panel standby button operation.

#### To install a trigger cable:

- Power the controlling source and DD-8 amplifier off.
- Connect the trigger cable to the controlling source and the DD-8 amplifier.
- After the connections are made, power on the controlling source and the DD-8 amplifier. After the source unit is fully powered up, the LED power indicator on the front of the DD-8 should be lit BLUE.
- Verify the trigger is working by putting the source unit into standby mode. The DD-8 amplifier after a short delay will also go into the standby mode and the power indicator will light up RED.
- Once you have verified that the trigger cable is working, only use the source unit to power on and off your DD-8 amplifier.



**WARNING:** When installing the trigger cable, never have the controlling source or DD-8 amplifier powered on. Doing so will cause the trigger device to work improperly and could cause damage to both the source and amplifier.

## BASIC OPERATION

### 11. AC Main Power Connector

Provides an AC power connection to the DD-8 using the supplied power cord.

After all audio and system connections have been made, connect the power cord to an AC power source. Be sure that any device connected to the remote trigger input is powered off when connecting the DD-8 power cord to an AC outlet.



**WARNING: Do not plug the DD-8 directly into the “Switched Accessory” outlet of another device! These outlets are intended for use with low current draw products such as tuners, CD players, Blu-ray players and other similar devices. These outlets are not designed to handle the high current draw of a power amplifier. Using these outlets for a power amplifier is a significant safety hazard.**

# TROUBLESHOOTING AND MAINTENANCE

## Troubleshooting

### The amplifier does not power on.

1. Attempt to power on the amplifier with the front panel Standby/On button.
2. Examine the power cord to ensure a good connection between the rear panel AC input connector and the wall outlet.
3. Check the wall outlet.

### The Trigger Input is connected to an external device, but the amplifier does not power on and off with the external device.

1. Verify the trigger cable is connected at both ends and verify that the trigger cable is connected to the right device. Also re-verify the trigger installation instructions as instructed in the Basic Operation section of this user guide.
2. Verify the trigger level of the output source device. The DD-8 accepts a range of 5-15VDC.

### Source signals are present and the system is at a suitable volume level but one or more channels are not passing audio.

1. Reduce system volume level.
2. Power the DD-8 into standby mode.
3. Check input connections.
4. Check speaker connections.
5. Allow the amplifier to cool before powering it on again.

### Audio sounds “thin” and is lacking proper bass response.

Check to ensure proper polarity of the speaker cables and connections.

### Audio Levels differ between channels.

1. Check the level settings of the DD-8 Output Level Controls.
2. Check the settings on your preamp, processor or controller.

### Audio plays and then cuts off.

Check input and speaker connections for short circuits or loose connections at the amplifier and speaker.

## TROUBLESHOOTING AND MAINTENANCE

### **A humming sound is present in the audio.**

Audible hum, or a discernable low frequency noise is one of the most common problems within audio/video systems. This problem, even when the volume is at a low level, is usually caused by a common problem known as a "ground loop". A ground loop occurs when there is a difference in ground voltages between two or more components that are connected electrically.

In most cases, one or more of the following suggestions below will solve the hum problem.

1. If a cable TV connection is present, disconnect the cable for the wall outlet. If this eliminates the humming sound, a ground loop isolation device is required. Contact your dealer or cable provider for assistance.
2. Disconnect components one at a time to isolate the problem. Once the problem is identified, make sure the associated component is properly grounded and connected to the same electrical ground as the DD-8 amplifier.
3. Turn off all components within your system and then disconnect the input cables on the DD-8 amplifier. Turn the amplifier back on. If the hum disappears the fault may be with the input cables that are being used. Make sure the cables are properly shielded or use a cable that has better shielding. Make sure the cable is not running or laying on top of any AC power cords.
4. Ground loop problems may also be caused by poor grounding of the electrical system within your home or may be caused by faulty earth grounds in your home's electrical system. To isolate the problem, try unplugging components with three prong grounded power cords one at a time to see if one or all are causing the problem. In the past, cold water pipes and other utilities were often used for grounds. These items may not be still valid because of corrosion of the existing pipes and the installation and use of PVC piping. Please check with a licensed electrician for further evaluation.

### **If all else fails...**

1. Contact an authorized Lexicon dealer.
2. Contact Lexicon Customer Technical Support at 888-691-4171.

### **Maintenance**

Routine maintenance should be performed on a periodic basis. Clean the exterior surfaces of the unit with a soft, dry, lint-free cloth. Do not use alcohol, benzene, acetone-based cleaners, or strong commercial cleaners. Do not use a cloth made with steel wool or metal polish. If the unit is exposed to a dusty environment, a low-pressure blower may be used to remove dust from its exterior.

## APPENDIX

### Specifications

*Specifications are subject to change without notice.*

<b>Output Power:</b>	125W RMS per channel into 8 ohms from 20Hz – 20kHz
<b>Frequency Response:</b>	20Hz - 20kHz +0dB/-1.5dB
<b>Total Harmonic Distortion (THD):</b>	Less than 0.05% at full rated power 20Hz - 20kHz
<b>Signal-to-Noise Ratio:</b>	< -105dB below rated full power A-weighted
<b>Crosstalk:</b>	< -70dB @ 1kHz
<b>Input Sensitivity:</b>	1.12 volts for 125W out into 8 ohms
<b>Gain:</b>	29dB
<b>Input Impedance:</b>	100K ohms typical
<b>Trigger Input:</b>	5V minimum – 15V maximum DC
<b>Dimensions (H x W x D):</b>	2.1" (w/ feet) / 1.7" (w/out feet) x 17.3" x 14.9" 5.4 cm (w/ feet) / 4.5cm (w/out feet) x 43.8 cm x 37.8 cm
<b>Weight:</b>	9.2 lbs (4.2 kg)
<b>Power Requirements:</b>	100 - 240VAC 50/60Hz 190W

THIS PAGE INTENTIONALLY LEFT BLANK