

RV-9

Immersive Surround Sound AVR

lexicon
by HARMAN



Features

- Logic7 Immersion natural sound upmixer
- Dolby Atmos & DTS:X with 11.1 decoding and 7.2.4 outputs
- Dolby Vision compatible
- 4k (UHD) HDMI2.0a with HDCP2.2 in Main and Zone 2
- 7 HDMI inputs, 3 HDMI outputs, ARC compatible
- Dirac Live® for Lexicon room correction
- Spotify® Connect enabled
- Cirrus CS42528 audiophile DAC
- Class G power amplification
- Rear panel Ethernet, RS232, Main and Z2 IR and triggers
- Free MusicLife iOS UPnP and control app
- Independent volume control of sub outputs
- EAN: 6925281930485
- UPC: 050667372224

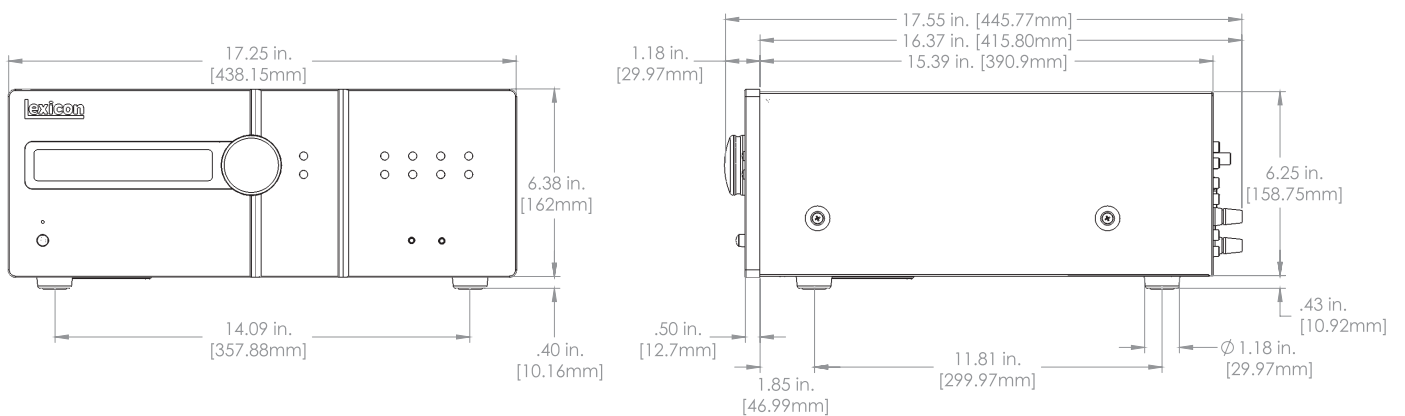
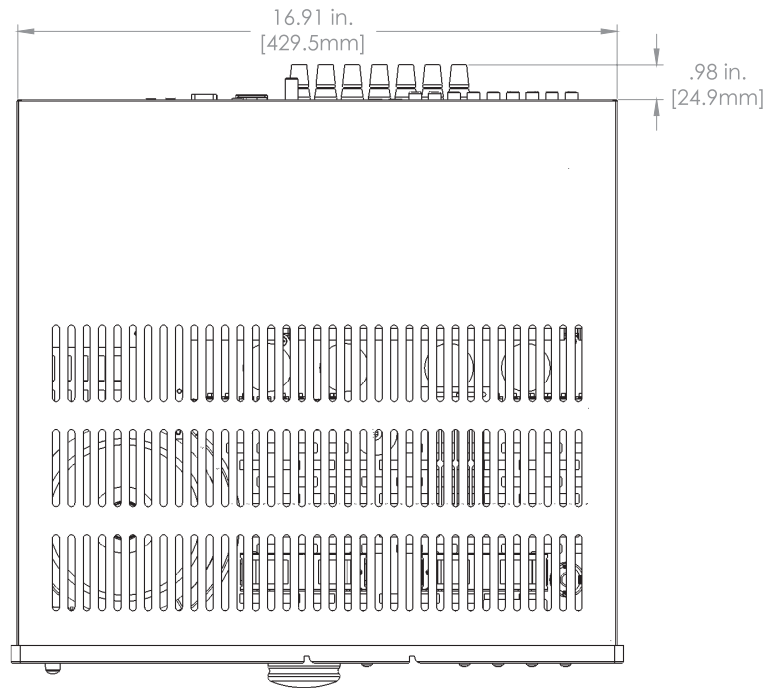
Specifications

Continuous power output, per channel, 8Ω/4Ω	2 channels driven: 20Hz–20kHz, <0.02% THD 120W/200W 2 channels driven: 1kHz, 0.2% THD 130W/210W 7 channels driven: 1kHz, 0.2% THD 100W/180W Residual noise & hum (A-wtd): <0.15mV
Stereo line inputs	Maximum input: 4.5 Vrms Nominal sensitivity: 1V, 2V, 4V (user adjustable) Input impedance: 47kΩ Signal/noise ratio (A-wtd ref 100W): normal/stereo direct 100dB/120dB Frequency response: 20Hz–20kHz 0.1dB
Preamplifier outputs	Nominal output level: 1 Vrms Output impedance: 560Ω THD+N (20Hz–20kHz): -100dB
Headphone output	Maximum output level into 32Ω: 2 Vrms Output impedance: <5Ω
General	Mains voltage: 110–120V or 220–240V, 50–60Hz Power consumption (maximum): 1.5kW (Thermal dissipation approx. 5200 BTU/hour) Power consumption (idle, typical): 100W (Thermal dissipation approx. 340 BTU/hour) Power consumption (standby): <0.5W
Dimensions	W x D (including speaker terminals) x H (including feet): 433 x 425 x 171mm (17.05 x 16.73 x 6.73 in.)
Box Dimensions (W x D x H)	580 x 540 x 300mm (22.6 x 21.1 x 11.7 in.)
Weight	Net: 16.7kg (36.8 lbs) Packed: 20.0kg (44.1 lbs)

RV-9

Immersive Surround Sound AVR

lexicon
by HARMAN



HARMAN International Industries, Incorporated
8500 Balboa Boulevard, Northridge, CA 91329 USA
www.lexicon.com

© 2018 HARMAN International Industries, Incorporated. All rights reserved. Lexicon is a registered trademark of HARMAN International Industries, Incorporated registered in the United States and/or other countries. Features, specifications, and appearance are subject to change without notice.