

## Speaker Mount Installation Instructions

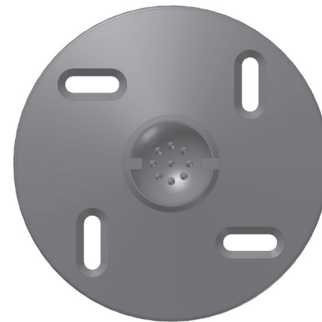
## CONTENTS



Fixing Dial



Ceiling  
Arm



Wall Plate



Wall Arm




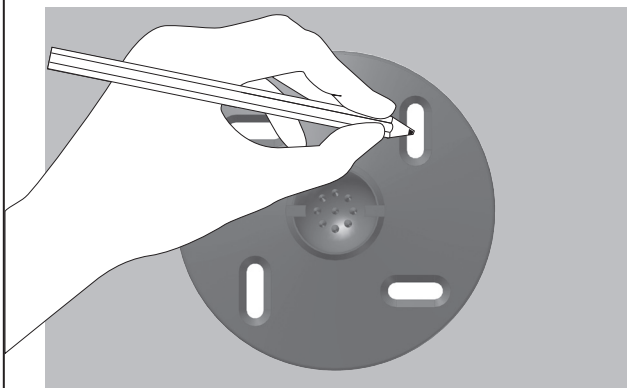
Locking  
Nut

NOTE: No fixings are supplied.  
Please use the appropriate fixings dependant  
on the wall structure.

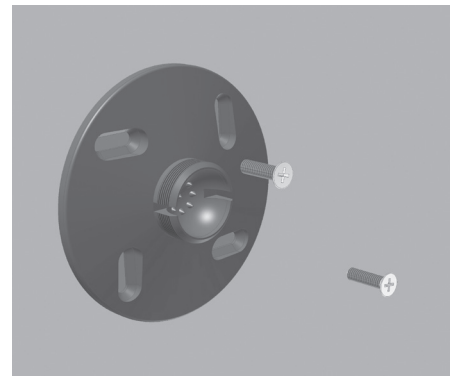
### 1 Mark fixing points of wall plate and drill holes.

Size will be depend on fixing method and you should  
refer to the appropriate manufacturers instructions.

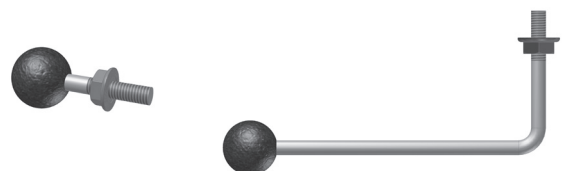
 If you are unsure of being able to provide a secure fixing  
seek the advise of a professional installer.



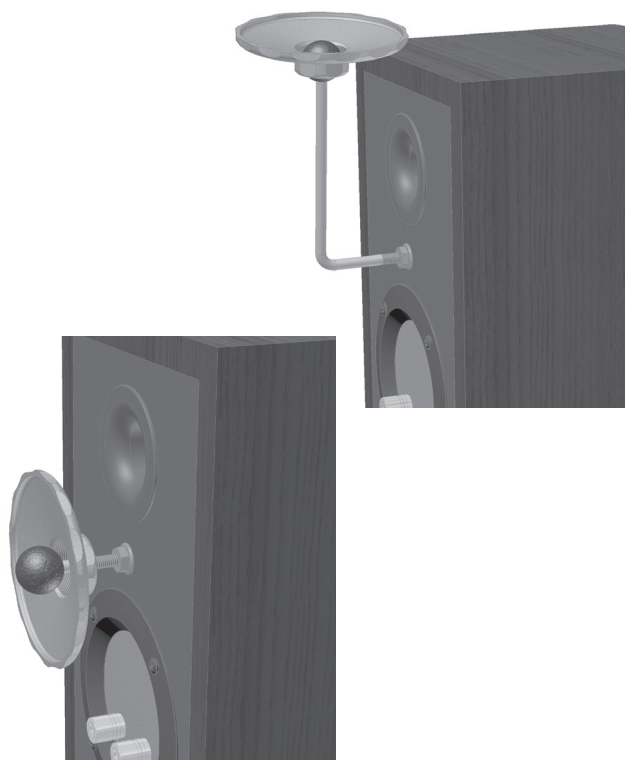
### 2 Fix wall plate to wall



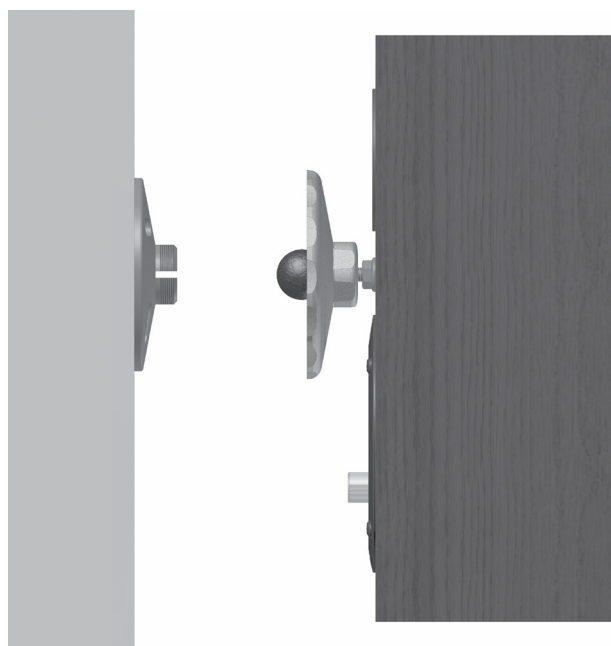
### 3 Fit locking nut onto either the wall mount or ceiling mount arms (depending on application).



- 4 Slide the fixing dial over the threaded part of the arm and fix the arm to the cabinet turning it clockwise.



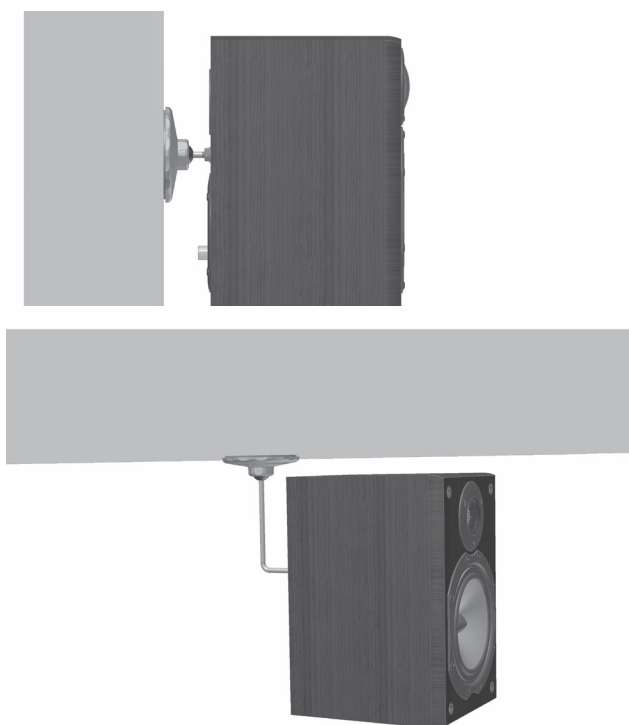
- 5 Offer the cabinet and bracket assembly up to the wall plate and start to tighten the fixing dial supporting the weight of the cabinet. Do not completely tighten.



- 6 Ensure the cabinet is in the desired angle and fully tighten the Fixing Dial.

Extra purchase can be achieved by using a spanner on the Fixing Dial.

If further adjustment is required, loosen the Fixing Dial before adjusting.



This Universal Speaker Mount from Monitor Audio uses a 1/4" UNC thread and can be used with any of our speakers with the 1/4" UNC threaded insert.



The Maximum weight the bracket can hold is 4Kg.

 **MONITOR AUDIO**  
monitoraudio.com

Monitor Audio Ltd  
24 Brook Road, Rayleigh  
Essex, SS6 7XJ  
England  
Tel: + 44 (0)1268 740580  
Fax: + 44 (0)1268 740589  
Email: info@monitoraudio.co.uk  
Designed in the United Kingdom