



expanding experiences



# SOUND 5201

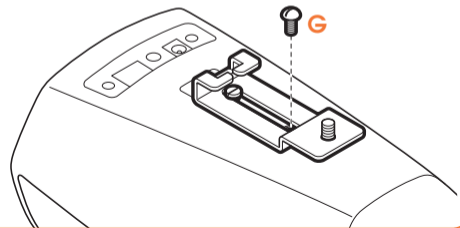
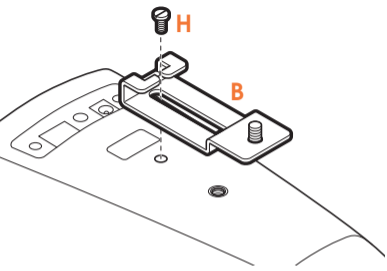
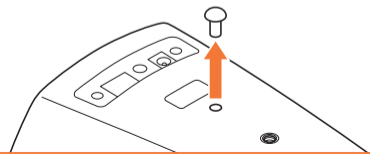
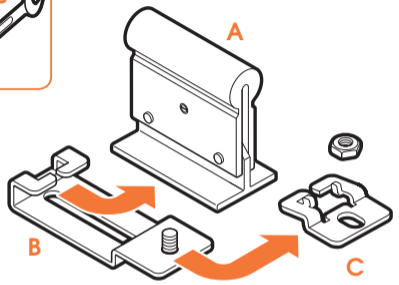
Max. weight load = 3 kg

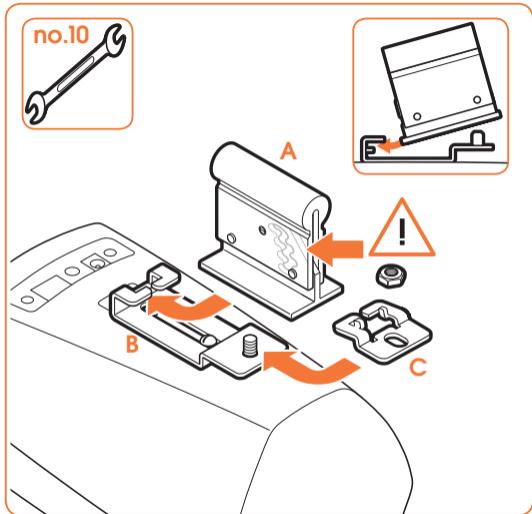
Scan the QR-code to find the  
installation movie on YouTube:

More information on: [www.vogels.com](http://www.vogels.com)

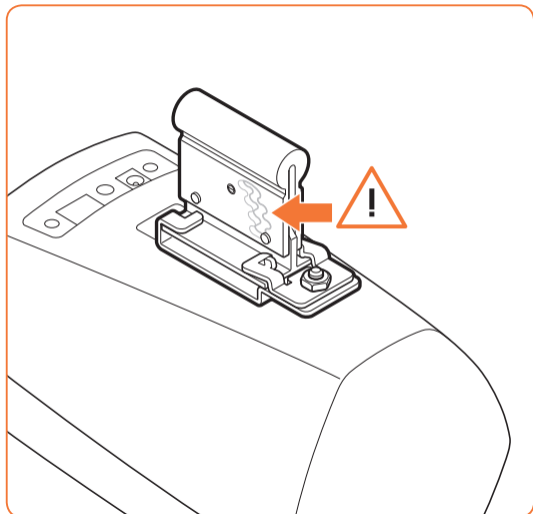


no.10

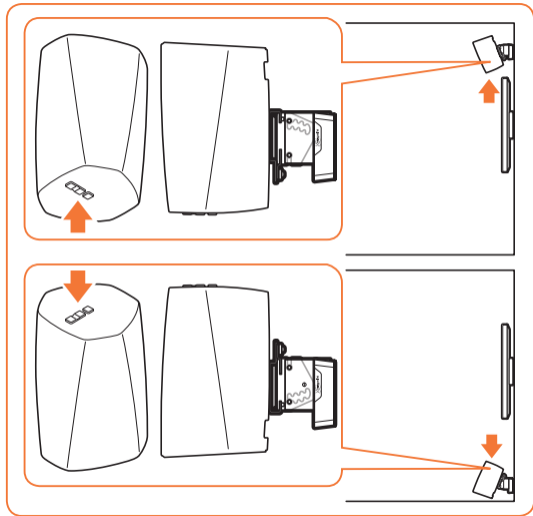




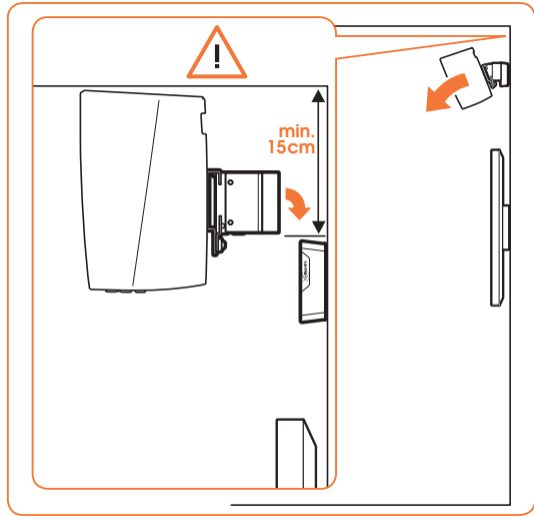
4



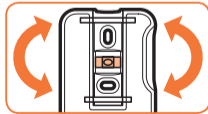
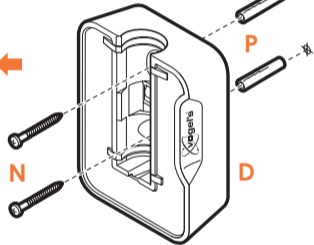
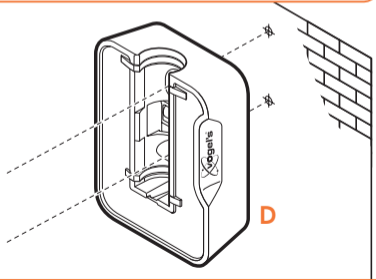
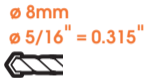
5

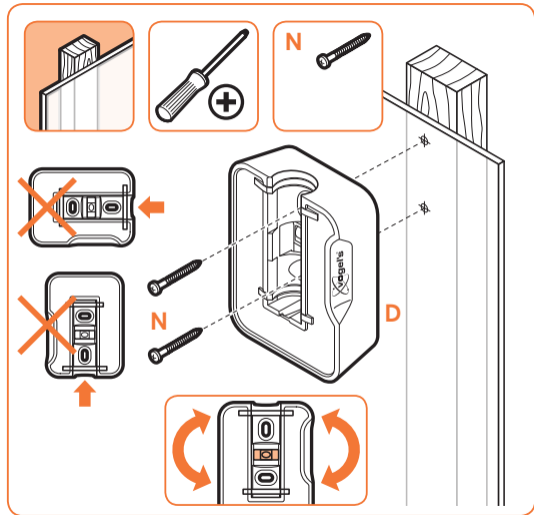
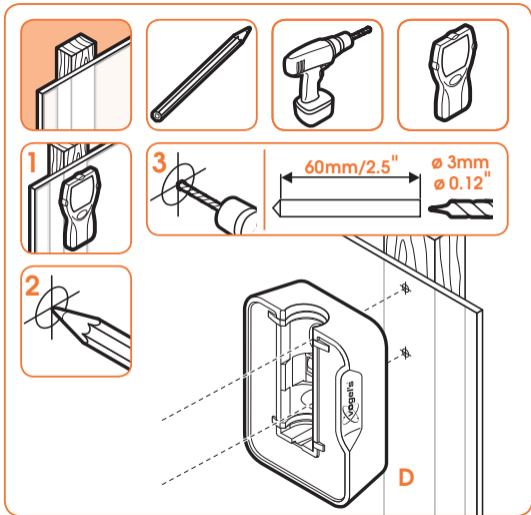


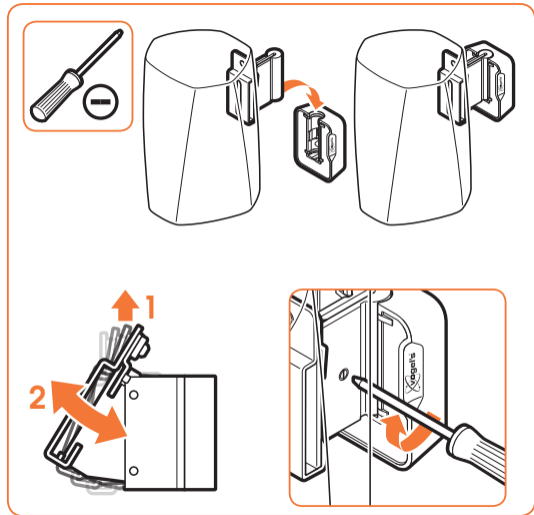
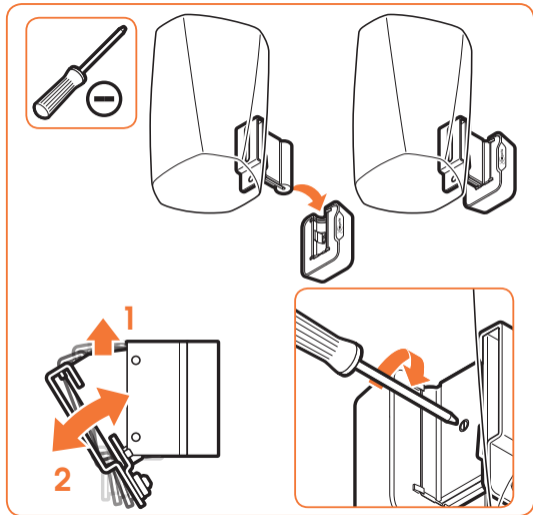
6



7









| expanding experiences

**[www.vogels.com](http://www.vogels.com)**

Vogel's Holding BV 2016 © All rights reserved