

# *NS-SW210*

---

---

*Subwoofer*  
*Caisson de grave*



**OWNER'S MANUAL**  
**MODE D'EMPLOI**  
**BEDIENUNGSANLEITUNG**  
**BRUKSANVISNING**  
**MANUALE DI ISTRUZIONI**  
**MANUAL DE INSTRUCCIONES**  
**GEBRUIKSAANWIJZING**  
**ИНСТРУКЦИЯ ПО ЭКСПЛУАТАЦИИ**

## CAUTION: Read this before operating your unit

Please read the following operating precautions before use. YAMAHA will not be held responsible for any damage and/or injury caused by not following the cautions below.

- To assure the finest performance, please read this manual carefully. Keep it in a safe place for future reference.
- Install this unit in a cool, dry, clean place - away from windows, heat sources, sources of excessive vibration, dust, moisture and cold. Avoid sources of humming (transformers, motors). To prevent fire or electrical shock, do not expose this unit to rain or water.
- Never open the cabinet. If something drops into the set, contact your dealer.
- The voltage to be used must be the same as that specified on the rear panel. Using this unit with a higher voltage than specified is dangerous and may cause a fire and/or electric shock.
- To reduce the risk of fire or electric shock, do not expose this unit to rain or moisture.
- Do not use force on switches, controls or connection wires. When moving the unit, first disconnect the power plug and the wires connected to other equipment. Never pull the wires themselves.
- When not planning to use this unit for a long period (ie., vacation, etc.), disconnect the AC power plug from the wall outlet.
- To prevent lightning damage, disconnect the AC power plug when there is an electric storm.
- Since this unit has a built-in power amplifier, heat will radiate from the rear panel. Place the unit apart from the walls, allowing at least 20 cm of space above, behind and on both sides of the unit to prevent fire or damage. Furthermore, do not position with the rear panel facing down on the floor or other surfaces.
- Do not cover the rear panel of this unit with a newspaper, a tablecloth, a curtain, etc., in order not to obstruct heat radiation. If the temperature inside the unit rises, it may cause fire, damage to the unit and/or personal injury.
- Do not place the following objects on this unit:
  - Glass, china, small metallic, etc.
    - If glass, etc., falls as a result of vibrations and breaks, it may cause bodily injury.
  - A burning candle etc.
    - If the candle falls as a result of vibration, it may cause fire and bodily injury.
  - A vessel containing water
    - If the vessel falls as a result of vibration and water spills, it may cause damage to the speaker, and/or you may get an electric shock.
- Do not place this unit where foreign material, such as dripping water. It might cause fire, damage to this unit, and/or personal injury.
- Never put a hand or a foreign object into the YST port located on the right side of this unit. When moving this unit, do not hold the port, as it might cause personal injury and/or damage to this unit.
- Never place a fragile object near the YST port of this unit. If the object falls or drops as a result of the air pressure, it may cause damage to the unit and/or personal injury.
- Never open the cabinet. It might cause an electric shock, since this unit uses a high voltage. It might also cause personal injury and/or damage to this unit.
- When using a humidifier, be sure to avoid condensation inside this unit by allowing enough space around this unit or avoiding excess humidification. Condensation might cause fire, damage to this unit, and/or electric shock.
- Super-bass frequencies reproduced by this unit may cause a turntable to generate a howling sound. In such a case, move this unit away from the turntable.
- This unit may be damaged if certain sounds are continuously output at high volume level. For example, if 20 Hz - 50 Hz sine waves from a test disc, bass sounds from electronic instruments, etc., are continuously output, or when the stylus of a turntable touches the surface of a disc, reduce the volume level to prevent this unit from being damaged.
- If you hear distortion (i.e., unnatural, intermittent “rapping” or “hammering” sounds) coming from this unit, reduce the volume level. Extremely loud playing of a movie soundtrack’s low frequency, bass-heavy sounds or similarly loud popular music passages can damage this speaker system.
- Vibration generated by super-bass frequencies may distort images on a TV. In such a case, move this unit away from the TV set.
- Do not attempt to clean this unit with chemical solvents as this might damage the finish. Use a clean, dry cloth.
- Be sure to read the “TROUBLESHOOTING” section regarding common operating errors before concluding that the unit is faulty.
- Install this unit near the wall outlet and where the AC power plug can be reached easily.
- **Secure placement or installation is the owner’s responsibility. YAMAHA shall not be liable for any accident caused by improper placement or installation of speakers.**

**WARNING**  
TO REDUCE THE RISK OF FIRE OR ELECTRIC SHOCK, DO NOT EXPOSE THIS APPLIANCE TO RAIN OR MOISTURE.

Be sure to allow spaces of at least 20 cm above, behind and on both sides of the unit.

## • VOLTAGE SELECTOR

(Asia and General models only)

The voltage selector switch on the rear panel of this unit must be set to your local main voltage **BEFORE** plugging this unit into the AC main supply. Voltages are 110-120/220-240 V AC, 50/60 Hz.

This unit is not disconnected from the AC power source as long as it is connected to the wall outlet, even if this unit itself is turned off. In this state, this unit is designed to consume a very small quantity of power.

This unit features a magnetically shielded design, however, there is still a chance that placing it too close to a TV set might impair picture color. Should this happen, move this unit away from the TV set.

### For U.K. customers

If the socket outlets in the home are not suitable for the plug supplied with this appliance, it should be cut off and an appropriate 3 pin plug fitted. For details, refer to the instructions described below.

**Note:** The plug severed from the mains lead must be destroyed, as a plug with bared flexible cord is hazardous if engaged in a live socket outlet.

### SPECIAL INSTRUCTIONS FOR U.K. MODEL

#### IMPORTANT:

THE WIRES IN MAINS LEAD ARE COLOURED IN ACCORDANCE WITH THE FOLLOWING CODE:

Blue: NEUTRAL

Brown: LIVE

As the colours of the wires in the mains lead of this apparatus may not correspond with the coloured markings identifying the terminals in your plug, proceed as follows: The wire which is coloured BLUE must be connected to the terminal which is marked with the letter N or coloured BLACK. The wire which is coloured BROWN must be connected to the terminal which is marked with the letter L or coloured RED. Make sure that neither wire is connected to the earth terminal of a three pin plug.

### For Canadian Customers

To prevent electric shock, match wide blade of plug to wide slot and fully insert.

This Class B digital apparatus complies with Canadian ICES-003.

### Information for Users on Collection and Disposal of Old Equipment



This symbol on the products, packaging, and/or accompanying documents means that used electrical and electronic products should not be mixed with general household waste.

For proper treatment, recovery and recycling of old products, please take them to applicable collection points, in accordance with your national legislation and the Directives 2002/96/EC.

By disposing of these products correctly, you will help to save valuable resources and prevent any potential negative effects on human health and the environment which could otherwise arise from inappropriate waste handling.

For more information about collection and recycling of old products, please contact your local municipality, your waste disposal service or the point of sale where you purchased the items.

[Information on Disposal in other Countries outside the European Union]

This symbol is only valid in the European Union. If you wish to discard these items, please contact your local authorities or dealer and ask for the correct method of disposal.



## CONTENTS

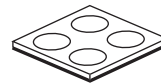
FEATURES.....	1
SUPPLIED ACCESSORIES.....	1
ATTACHING THE NON-SKID PADS .....	1
PLACEMENT .....	2
CONTROLS AND THEIR FUNCTIONS .....	2
CONNECTIONS.....	3
Connecting to line output (pin jack) terminals of the amplifier .....	3
Plug in the subwoofer to the AC outlet .....	3
ADJUSTING THE SUBWOOFER BEFORE USE.....	3
Frequency characteristic.....	3
ADVANCED YAMAHA ACTIVE SERVO TECHNOLOGY II.....	4
TROUBLESHOOTING .....	4
SPECIFICATIONS .....	5

## FEATURES

- This subwoofer employs Advanced Yamaha Active Servo Technology II, which Yamaha has developed for the production of higher quality, super-bass sound. (Refer to page 4 for details on Advanced Yamaha Active Servo Technology II.) This super-bass sound adds a more realistic, theater-in-the-home effect to your audio system.
- This subwoofer can be easily added to your existing audio system by connecting to either the speaker terminals or the line output (pin jack) terminals of the amplifier.
- This subwoofer system is equipped with a linear port unique to Yamaha that provides smooth bass response during playback, minimizing extraneous noise not included in the original input signal.

## SUPPLIED ACCESSORIES

After unpacking, check that the following parts are contained.

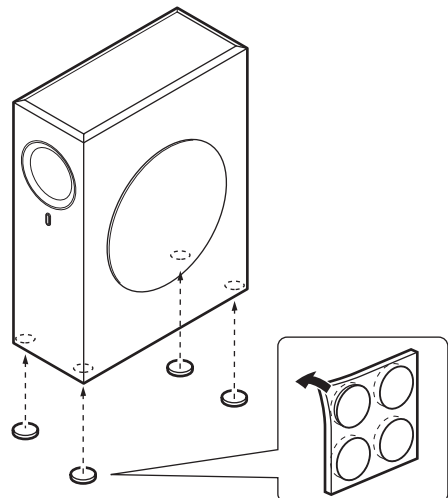


Non-skid pads

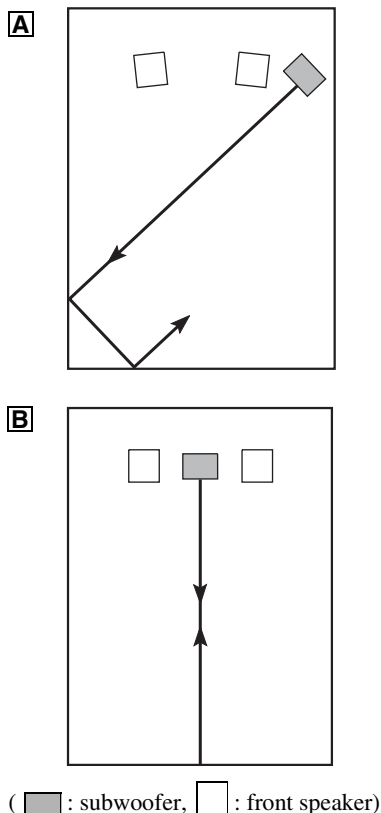
## ATTACHING THE NON-SKID PADS

To enjoy the high sound quality, stabilize the subwoofer using the non-skid pads.

Attach the provided non-skid pads in the four corners of the underside of the subwoofer to prevent the subwoofer from moving as a result of vibration, etc.



## PLACEMENT



The subwoofer will have a good effect on your audio system.

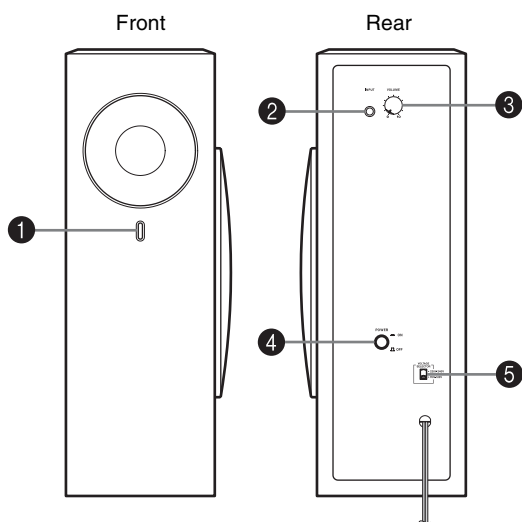
Using the subwoofer, it is recommended to place it on the outside of either the right or the left front speaker. (See fig. **A**.) The placement shown in fig. **B** is also possible, however, if the subwoofer system is placed directly facing the wall, the bass effect may suffer due to cancellation of direct and reflected sounds. To prevent this from happening, place the subwoofer system at an angle, as in fig. **A**.

### Note

There may be a case that you cannot obtain enough super-bass sounds from the subwoofer when listening in the center of the room. This is because “standing waves” have developed between two parallel walls and cancel the bass sounds.

In such a case, place the subwoofer at an oblique angle to the wall. It also may be necessary to break up the parallel surfaces by placing bookshelves, etc. along the walls.

## CONTROLS AND THEIR FUNCTIONS



- 1 Power indicator**  
 Lights up Green when the POWER switch is turned ON; turns off when the POWER switch is turned OFF.
- 2 INPUT (FROM AMPLIFIER) terminal**  
 Used to connect the subwoofer with the subwoofer terminal of the amplifier.  
 (Refer to “CONNECTIONS” for details.)
- 3 VOLUME control**  
 Adjusts the volume level. Turn the control clockwise to increase the volume, and counterclockwise to decrease the volume.
- 4 POWER switch**  
 Press this switch to the ON position to turn on the power to the subwoofer. Press this switch again to set it to the OFF position to turn off the power of the subwoofer.
- 5 VOLTAGE SELECTOR switch (Asia and General models only)**  
 If the preset setting of the switch is incorrect, set the switch to the proper voltage (110-120/220-240V) of your area.  
 Consult your dealer if you are unsure of the correct setting.

### WARNING

Be sure to unplug the subwoofer before setting the VOLTAGE SELECTOR switch correctly.

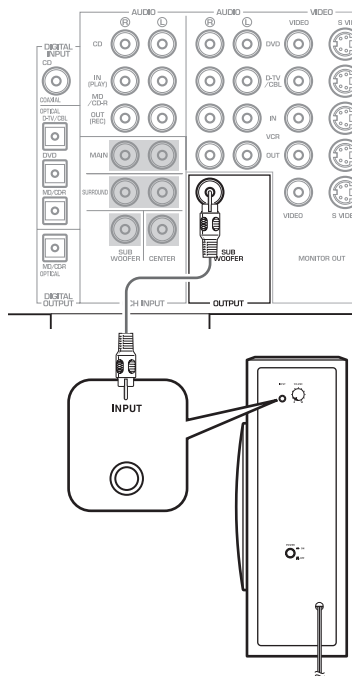
# CONNECTIONS

**Caution: Unplug the subwoofer and other audio/video components before making connections.**

## Connecting to line output (pin jack) terminals of the amplifier

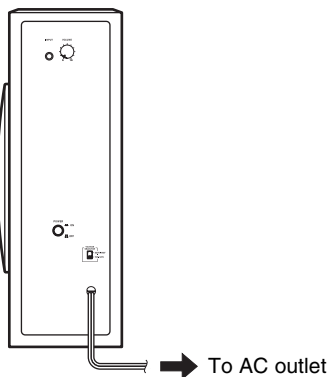
To connect to an amplifier (or AV receiver), connect the SUBWOOFER terminal on the rear of the amplifier (or AV receiver) to the INPUT terminal of the subwoofer.

Amplifier (The rear panel of various amplifiers may differ in appearance.)



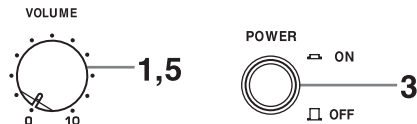
## Plug in the subwoofer to the AC outlet

After all connections are completed, plug the subwoofer and other audio/video components into AC outlets.



# ADJUSTING THE SUBWOOFER BEFORE USE

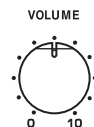
Before using the subwoofer, adjust the subwoofer to obtain the optimum volume balance between the subwoofer and the front speakers by following the procedure described below.



- 1 Set the **VOLUME** control to minimum (0).
- 2 Turn on the power of all the other components.
- 3 Make sure that the **POWER** switch is set to the ON position.  
\* The Power indicator lights up in green.
- 4 Play a source containing low-frequency components and adjust the amplifier's volume control to the desired listening level.
- 5 Increase the volume gradually to adjust the volume balance between the subwoofer and the front speakers. To enjoy natural bass sound, keep the subwoofer volume at a level where it is barely distinguishable from other speakers.
- 6 Adjust the volume of the entire sound system using the amplifier's volume control.

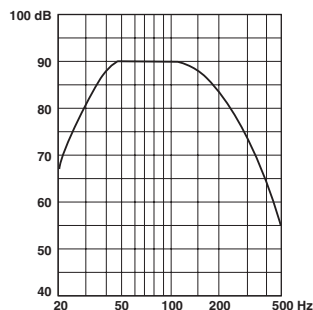
### Note

**It is recommended to set the VOLUME control about in the middle position when using in a multi channel home theater system.**



## Frequency characteristic

**This subwoofer's frequency characteristic**



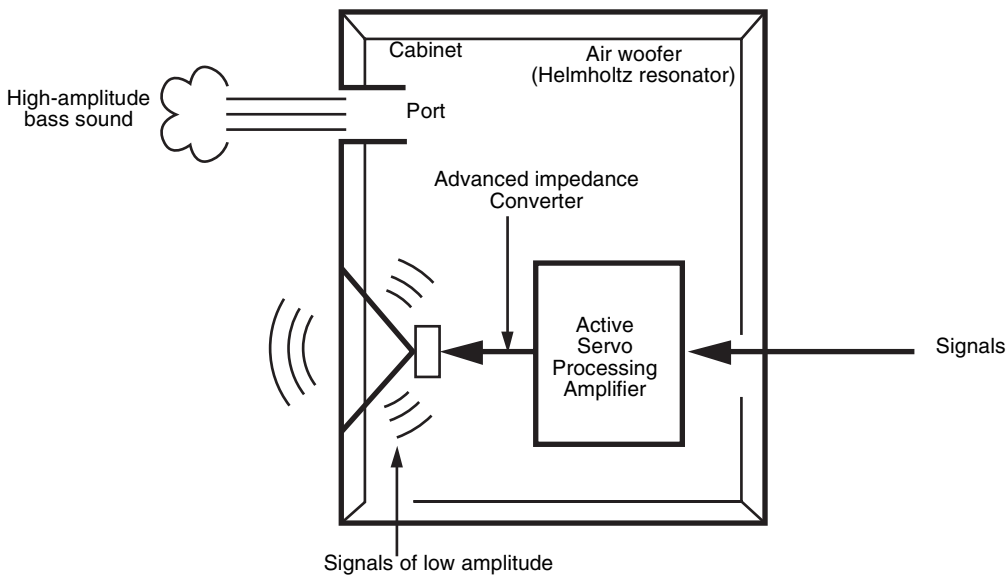
\* This diagram does not depict actual frequency response characteristics.

# ADVANCED YAMAHA ACTIVE SERVO TECHNOLOGY II

In 1988, Yamaha brought to the marketplace speaker systems utilizing YST (Yamaha Active Servo Technology) to give powerful, high quality bass reproduction. This technique uses a direct connection between the amplifier and speaker, allowing accurate signal transmission and precise speaker control.

As this technology uses speaker units controlled by the negative impedance drive of the amplifier and resonance generated between the speaker cabinet volume and port, it creates more resonant energy (the “air woofer” concept) than the standard bass reflex method. This allows for bass reproduction from much smaller cabinets than was previously possible.

Yamaha’s newly developed Advanced YST II adds many refinements to Yamaha Active Servo Technology, allowing better control of the forces driving the amplifier and speaker. From the amplifier’s point of view, the speaker impedance changes depending on the sound frequency. Yamaha developed a new circuit design combining negative-impedance and constant-current drives, which provides a more stable performance and clear bass reproduction, without any murkiness.



## TROUBLESHOOTING

Refer to the chart below if this unit does not function properly. If the problem you are experiencing is not listed below, or if the instructions given below do not help, disconnect the power cord and contact an authorized YAMAHA dealer or service center.

Problem	Cause	What to Do
<b>Power is not supplied even though the POWER switch is set to the ON position.</b>	The power plug is not securely connected.	Connect it securely.
<b>No sound.</b>	The volume is set to minimum.	Raise the volume up.
	Speaker cables are not connected securely.	Connect them securely.
<b>Sound level is too low.</b>	A source sound with little bass frequency content is being played.	Play a source sound with bass frequencies.
	It is influenced by standing waves.	Reposition the subwoofer or break up parallel surfaces by placing bookshelves, etc., along the walls.



# SPECIFICATIONS

<b>Type</b> .....Advanced Yamaha Active Servo Technology II	<b>Power Consumption</b> ..... 40 W
<b>Driver</b> ..... 16 cm (6.5") cone woofer Magnetic shielding type	<b>Dimensions (W × H × D)</b> ..... 166 mm × 450 mm × 366 mm (6-9/16" × 17-3/4" × 14-7/16")
<b>Amplifier Output (100 Hz, 5 ohms, 10% THD)</b> ..... 50 W	<b>Weight</b> ..... 10 kg (22 lbs. 1 oz.)
<b>Frequency Response</b> ..... 30 Hz - 160 Hz	Please note that all specifications are subject to change without notice.
<b>Power Supply</b> USA and Canada models ..... AC 120V, 60 Hz U.K. and Europe models ..... AC 230V, 50 Hz Australia model ..... AC 240V, 50 Hz China model ..... AC 220V, 50 Hz Korea model ..... AC 220V, 60 Hz Asia and General models ..... AC 110-120/220-240 V, 50/60 Hz	

## Taking care of the subwoofer

- When you wipe this unit, do not use chemical solvents (e.g., alcohol or thinners, etc.): this might damage the finish. Use a clean, dry cloth. For difficult soils, dampen a soft cloth in water, wring it out, and then wipe with the cloth.
- (For polish-finished model) Bumping the surface of the instrument with metal, porcelain, or other hard objects can cause the finish to crack or peel. Use caution.

## Limited Guarantee for European Economic Area (EEA) and Switzerland

Thank you for having chosen a Yamaha product. In the unlikely event that your Yamaha product needs guarantee service, please contact the dealer from whom it was purchased. If you experience any difficulty, please contact Yamaha representative office in your country. You can find full details on our website (<http://www.yamaha-hifi.com/> or <http://www.yamaha-uk.com/> for U.K. resident).

The product is guaranteed to be free from defects in workmanship or materials for a period of two years from the date of the original purchase. Yamaha undertakes, subject to the conditions listed below, to have the faulty product or any part(s) repaired, or replaced at Yamaha's discretion, without any charge for parts or labour. Yamaha reserves the right to replace a product with that of a similar kind and/or value and condition, where a model has been discontinued or is considered uneconomic to repair.

### Conditions

1. The original invoice or sales receipt (showing date of purchase, product code and dealer's name) MUST accompany the defective product, along with a statement detailing the fault. In the absence of this clear proof of purchase, Yamaha reserves the right to refuse to provide free of charge service and the product may be returned at the customer's expense.
2. The product MUST have been purchased from an AUTHORISED Yamaha dealer within the European Economic Area (EEA) or Switzerland.
3. The product must not have been the subject of any modifications or alterations, unless authorised in writing by Yamaha.
4. The following are excluded from this guarantee:
  - a. Periodic maintenance and repair or replacement of parts due to normal wear and tear.
  - b. Damage resulting from:
    - (1) Repairs performed by the customer himself or by an unauthorised third party.
    - (2) Inadequate packaging or mishandling, when the product is in transit from the customer. Please note that it is the customer's responsibility to ensure the product is adequately packaged when returning the product for repair.
    - (3) Misuse, including but not limited to (a) failure to use the product for its normal purpose or in accordance with Yamaha's instructions on the proper use, maintenance and storage, and (b) installation or use of the product in a manner inconsistent with the technical or safety standards in force in the country where it is used.
    - (4) Accidents, lightning, water, fire, improper ventilation, battery leakage or any cause beyond Yamaha's control.
    - (5) Defects of the system into which this product is incorporated and/or incompatibility with third party products.
    - (6) Use of a product imported into the EEA and/or Switzerland, not by Yamaha, where that product does not conform to the technical or safety standards of the country of use and/or to the standard specification of a product sold by Yamaha in the EEA and/or Switzerland.
    - (7) Non AV (Audio Visual) related products.  
(Products subject to "Yamaha AV Guarantee Statement" are defined in our website at <http://www.yamaha-hifi.com/> or <http://www.yamaha-uk.com/> for U.K. resident.)
5. Where the guarantee differs between the country of purchase and the country of use of the product, the guarantee of the country of use shall apply.
6. Yamaha may not be held responsible for any losses or damages, whether direct, consequential or otherwise, save for the repair or replacement of the product.
7. Please backup any custom settings or data, as Yamaha may not be held responsible for any alteration or loss to such settings or data.
8. This guarantee does not affect the consumer's statutory rights under applicable national laws in force or the consumer's rights against the dealer arising from their sales/purchase contract.

## ATTENTION : lisez les consignes suivantes avant d'utiliser l'appareil

Lisez attentivement les précautions d'utilisation suivantes. YAMAHA décline toute responsabilité en cas de dommages et/ou de blessures découlant du non respect de ces consignes.

- Pour utiliser l'appareil au mieux de ses possibilités, lisez attentivement ce mode d'emploi. Conservez-le soigneusement pour référence.
- Installez cet appareil dans un endroit frais, sec et propre, à l'écart des fenêtres et à l'abri des sources de chaleur, des vibrations, de la poussière, de l'humidité et du froid. Évitez toute source de bruit électrique (transformateurs, moteurs). Pour éviter un incendie ou une électrocution, n'exposez pas cette enceinte à la pluie ni à l'humidité.
- N'ouvrez le coffret sous aucun prétexte. Si un objet tombe par mégarde à l'intérieur de l'appareil, contactez votre revendeur.
- La tension à utiliser est indiquée sur le panneau arrière. Il est dangereux d'utiliser cet appareil avec une tension supérieure à celle spécifiée, car vous risquez de provoquer un incendie et/ou de vous électrocuter.
- Pour réduire les risques d'incendie ou d'électrocution, n'exposez pas cet appareil à la pluie ou à l'humidité.
- Ne forcez pas sur les prises, les commandes ou les câbles de connexion. Lorsque vous déplacez cet appareil, veillez tout d'abord à débrancher la prise et les câbles connectés à un autre équipement. Ne déplacez jamais cet appareil par les câbles.
- Si vous n'utilisez pas cet appareil pendant une période prolongée (par exemple lorsque vous partez en vacances), débranchez le câble d'alimentation de la prise secteur.
- En cas d'orage, débranchez le câble d'alimentation de la prise secteur afin de ne pas endommager l'appareil.
- Cet appareil est muni d'un amplificateur de puissance intégré. Il est donc possible que de la chaleur émane du panneau arrière. N'installez pas l'appareil trop près d'un mur ; laissez au moins 20 cm au dessus, derrière et sur les côtés afin d'éviter tout risque d'incendie. Veillez en outre à ne pas placer le panneau arrière face au sol ou à une autre surface.
- Ne couvrez pas le panneau arrière de cet appareil avec un journal, une nappe, un rideau, etc., afin d'éviter l'accumulation de chaleur à l'intérieur de l'appareil. L'augmentation de la température interne peut provoquer un incendie ou endommager l'appareil.
- Ne placez pas les objets suivants sur l'appareil : Verres, porcelaine, petits objets métalliques, etc.  
Si ces objets tombent sous l'effet des vibrations et se brisent, vous risquez de vous blesser ou de blesser votre entourage.  
Une bougie allumée, etc.  
Si la bougie tombe sous l'effet des vibrations, cela risque de provoquer un incendie et des blessures.  
Un récipient contenant de l'eau.  
Si le récipient tombe sous l'effet des vibrations et que l'eau se répand, ceci risque d'endommager l'enceinte et/ou de provoquer une électrocution.

- Évitez de placer cet appareil à proximité de substances dangereuses. Vous risquez de provoquer un incendie ou de vous blesser.
- N'introduisez jamais votre main ou un objet dans le port YST situé sur le côté droit de l'appareil. Lorsque vous déplacez l'appareil, veillez à ne pas le saisir par ce port ; vous risquez de vous blesser et/ou d'endommager l'appareil.
- Ne placez aucun objet fragile à proximité du port YST de cet appareil. Si l'objet tombe à cause de la pression de l'air, vous risquez d'endommager l'appareil ou de vous blesser.
- N'ouvrez le coffret sous aucun prétexte. Vous risquez de vous électrocuter, car cet appareil fonctionne sous haute tension. Vous risquez également de vous blesser ou de provoquer un incendie.
- Si vous utilisez un humidificateur, assurez-vous d'éviter la condensation à l'intérieur de l'appareil. Pour cela, laissez de l'espace autour de l'appareil et évitez une trop forte humidification. La condensation peut provoquer un incendie, une électrocution ou endommager l'appareil.
- Les très basses fréquences produites par cet appareil peuvent provoquer un sifflement sur la platine. Le cas échéant, éloignez l'appareil de la platine.
- Vous risquez d'endommager l'appareil si certains sons sont continuellement émis à un niveau sonore élevé. Par exemple, si vous reproduisez continuellement les ondes sinusoïdales d'un disque comprises entre 20 Hz et 50 Hz ou les graves d'instruments électroniques, ou si l'aiguille d'une platine touche la surface d'un disque, réduisez le niveau de volume afin de ne pas endommager l'appareil.
- Si vous remarquez une distorsion du son (notamment lorsque le son manque de naturel, ou si des petits coups secs intermittents ou un « martèlement » se produisent), diminuez le volume. La reproduction des basses fréquences ou des graves de forte intensité de la musique pop à un volume excessif est susceptible d'endommager ce système d'enceintes.
- Les vibrations générées par les très basses fréquences risquent de déformer les images sur un téléviseur. Le cas échéant, éloignez l'appareil du téléviseur.
- Ne nettoyez pas l'appareil au moyen de solvants chimiques, car vous risquez d'endommager la finition. Utilisez un chiffon propre et sec.
- Lisez attentivement la rubrique « RÉOLUTION DES PROBLÈMES » avant de conclure que l'appareil est défectueux.
- Installez cet appareil à proximité d'une prise secteur et dans un endroit où le cordon d'alimentation est facilement accessible.
- **Le propriétaire du système est entièrement responsable du bon positionnement et de la bonne installation du système. YAMAHA décline toute responsabilité en cas d'accident provoqué par un positionnement ou une installation inadéquats de l'enceinte.**

AVERTISSEMENT  
POUR ÉVITER TOUT RISQUE D'INCENDIE OU D'ÉLECTROCUTION, N'EXPOSEZ PAS CET APPAREIL À LA PLUIE OU À L'HUMIDITÉ.

Veillez à laisser un espace d'au moins 20 cm au dessus, en dessous et sur les côtés de l'appareil.

- **Commutateur VOLTAGE SELECTOR**  
(Modèles standard et modèles pour l'Asie uniquement)

**Vous devez régler le commutateur de tension situé sur le panneau arrière de l'unité en fonction de la tension appliquée dans votre pays AVANT de brancher l'unité au réseau électrique. Les tensions prises en charge sont les suivantes : 110-120/220-240 V CA, 50/60 Hz.**

Tant que cet appareil est branché à la prise de courant, il n'est pas déconnecté du secteur, même s'il est éteint. L'appareil consomme donc une faible quantité d'électricité.

Bien que cet appareil dispose d'un blindage magnétique, évitez de le placer à proximité d'un téléviseur, car des interférences peuvent de produire et détériorer l'image. Le cas échéant, éloignez l'appareil du téléviseur.

### Information concernant la Collecte et le Traitement des déchets d'équipements électriques et électroniques.



Le symbole sur les produits, l'emballage et/ou les documents joints signifie que les produits électriques ou électroniques usagés ne doivent pas être mélangés avec les déchets domestiques habituels.

Pour un traitement, une récupération et un recyclage appropriés des déchets d'équipements électriques et électroniques, veuillez les déposer aux points de collecte prévus à cet effet, conformément à la réglementation nationale et aux Directives 2002/96/EC.

En vous débarrassant correctement des déchets d'équipements électriques et électroniques, vous contribuerez à la sauvegarde de précieuses ressources et à la prévention de potentiels effets négatifs sur la santé humaine qui pourraient advenir lors d'un traitement inapproprié des déchets.

Pour plus d'informations à propos de la collecte et du recyclage des déchets d'équipements électriques et électroniques, veuillez contacter votre municipalité, votre service de traitement des déchets ou le point de vente où vous avez acheté les produits.

[Information sur le traitement dans d'autres pays en dehors de l'Union Européenne]

Ce symbole est seulement valable dans l'Union Européenne. Si vous souhaitez vous débarrasser de déchets d'équipements électriques et électroniques, veuillez contacter les autorités locales ou votre fournisseur et demander la méthode de traitement appropriée.



## TABLE DES MATIERES

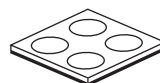
CARACTÉRISTIQUES .....	1
ACCESSOIRES FOURNIS .....	1
FIXATION DES PATINS ANTIDÉRAPANTS .....	1
DISPOSITION .....	2
PRÉSENTATION DES COMMANDES ET DE LEURS FONCTIONS .....	2
BRANCHEMENTS .....	3
Branchement aux bornes de sortie de ligne (fiche femelle) de l'amplificateur .....	3
Branchement du caisson de graves à la prise secteur .....	3
RÉGLAGE DU CAISSON DE GRAVES AVANT UTILISATION .....	3
Caractéristique de fréquence .....	3
TECHNOLOGIE ADVANCED YAMAHA ACTIVE SERVO TECHNOLOGY II .....	4
RÉSOLUTION DES PROBLÈMES .....	4
CARACTÉRISTIQUES TECHNIQUES .....	5

## CARACTÉRISTIQUES

- Ce caisson de graves utilise la technologie Advanced Yamaha Active Servo Technology II mise au point par Yamaha pour la reproduction de basses fréquences de haute qualité. (Pour plus d'informations sur la technologie Advanced Yamaha Active Servo Technology II, reportez-vous à la page 4.) Ces basses fréquences ajoutent un effet réaliste cinématographique aux sons fournis par un système audio.
- Ce caisson de graves peut être facilement raccordé à votre chaîne actuelle soit aux bornes d'enceintes, soit aux bornes de sortie de ligne (fiche femelle) de l'amplificateur.
- Cette enceinte à caisson de graves est dotée d'un port linéaire spécialement conçu par Yamaha qui assure une réponse régulière dans les basses fréquences pendant la lecture tout en minimisant les bruits étrangers qui viennent perturber le signal d'entrée original.

## ACCESSOIRES FOURNIS

Ouvrez l'emballage et vérifiez qu'il contient les accessoires suivants.

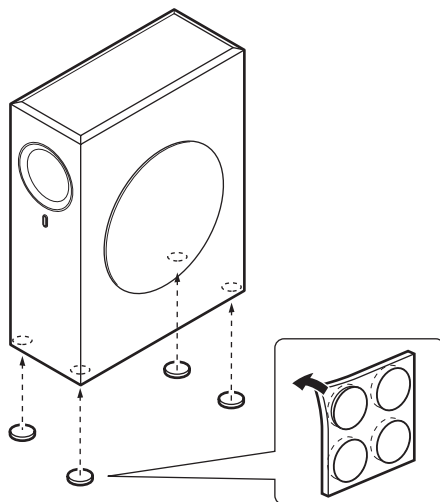


Patins antidérapants

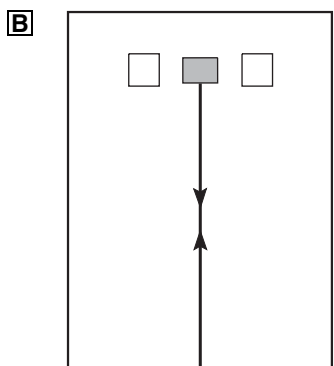
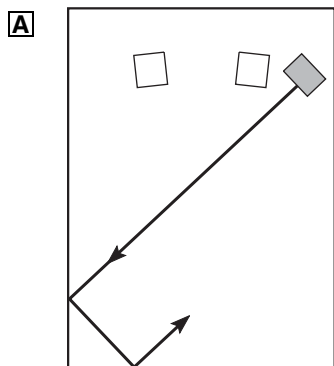
## FIXATION DES PATINS ANTIDÉRAPANTS

Pour obtenir une qualité sonore optimale, utilisez les patins antidérapants afin de stabiliser le caisson de graves.

Fixez les patins antidérapants fournis aux quatre coins sous le caisson de graves afin d'éviter qu'il ne bouge, notamment en cas de vibrations.



## DISPOSITION



(■ : caisson de graves, □ : enceintes avant)

Le caisson de graves produira un effet notoire sur votre système audio.

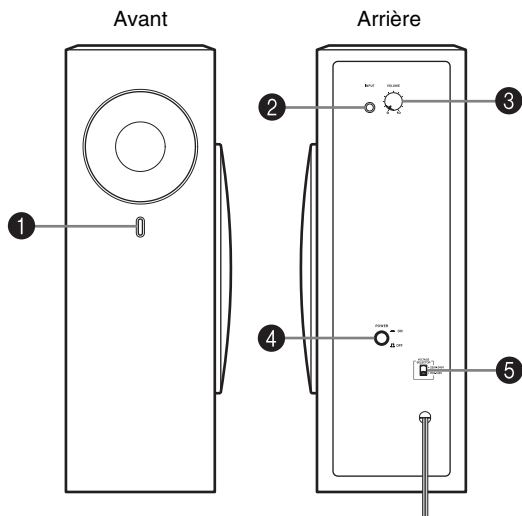
Si vous utilisez le caisson de graves, placez-le sur le côté extérieur de l'enceinte avant droite ou gauche. (Reportez-vous au schéma A.) Il est également possible de positionner les enceintes comme indiqué dans le schéma B. Néanmoins, si le caisson de graves est placé directement contre le mur, il est possible que l'effet de grave soit amoindri, car le son direct et le son renvoyé s'annulent mutuellement. Pour éviter ce problème, placez le caisson de graves dans un angle, comme indiqué dans le schéma A.

### Remarque

il est possible que vous ne perceviez pas les sons de très basses fréquences du caisson de graves, notamment si vous vous trouvez au milieu de la pièce. Les « ondes stationnaires » générées entre deux murs parallèles peuvent en effet annuler les graves.

Le cas échéant, placez le caisson de graves à un angle oblique par rapport au mur. Il peut également être nécessaire de rompre les surfaces parallèles en plaçant des étagères ou autres objets le long des murs.

## PRÉSENTATION DES COMMANDES ET DE LEURS FONCTIONS



- 1 Témoin d'alimentation**  
S'allume en vert lorsque le commutateur POWER est en position ON ; s'éteint lorsque le commutateur POWER est en position OFF.
- 2 Borne INPUT (FROM AMPLIFIER)**  
Cette borne permet de connecter le caisson de graves à la borne de caisson de graves de l'amplificateur. (Reportez-vous à la rubrique « BRANCHEMENTS » pour plus de détails.)
- 3 Commande VOLUME**  
Ajuste le niveau sonore. Tournez cette commande dans le sens des aiguilles d'une montre pour augmenter le volume, et dans le sens inverse des aiguilles d'une montre pour baisser le volume.
- 4 Commutateur POWER**  
Appuyez pour positionnez le commutateur sur ON afin de mettre le caisson de graves sous tension. Appuyez à nouveau pour le positionner sur OFF afin d'éteindre le caisson de graves.
- 5 Commutateur VOLTAGE SELECTOR (modèles pour l'Asie et modèles standard uniquement)**  
Si le réglage prédéfini est incorrect, placez ce commutateur sur la tension adéquate (110-120/220-240 V) en fonction de votre région. Consultez votre revendeur pour obtenir de l'aide.

### AVERTISSEMENT

Veillez à débrancher le caisson de graves avant de modifier la position du commutateur VOLTAGE SELECTOR.

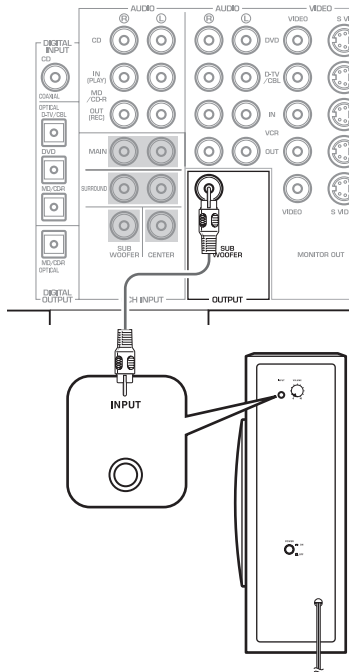
# BRANCHEMENTS

**Précautions d'utilisation : débranchez le caisson de graves et les autres composants audio/vidéo avant d'effectuer les connexions.**

## Branchement aux bornes de sortie de ligne (fiche femelle) de l'amplificateur

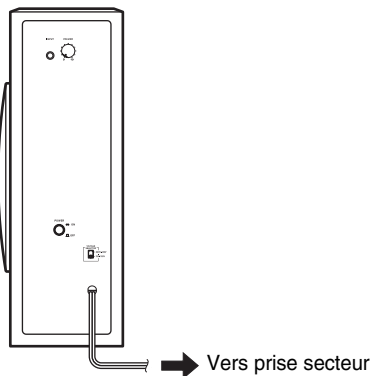
En cas de raccordement à un amplificateur (ou récepteur AV), connectez la borne SUBWOOFER à l'arrière de l'amplificateur (ou du récepteur AV) à la borne INPUT du caisson de graves.

Amplificateur (il est possible que l'aspect du panneau arrière soit différent selon l'amplificateur utilisé).



## Branchement du caisson de graves à la prise secteur

Ne branchez le caisson de graves et les composants audio/vidéo à la prise secteur qu'une fois tous les branchements terminés.



# RÉGLAGE DU CAISSON DE GRAVES AVANT UTILISATION

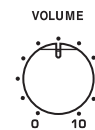
Avant d'utiliser le caisson de graves, configurez-le afin d'obtenir un équilibre sonore optimal entre le caisson de graves et les enceintes avant. Pour cela, procédez comme suit.



- 1 Réglez la commande **VOLUME** au minimum (0).
- 2 Mettez tous les composants sous tension.
- 3 Assurez-vous que le commutateur **POWER** est en position ON.  
\* Le témoin d'alimentation s'allume en vert.
- 4 Lancez la lecture d'une source contenant des basses fréquences, puis réglez la commande de volume de l'amplificateur au niveau d'écoute désiré.
- 5 Augmentez peu à peu le volume pour régler l'équilibre sonore entre le caisson de graves et les enceintes avant. Pour obtenir des graves naturels, réglez le volume du caisson de graves de façon à ce que vous puissiez à peine en distinguer le niveau des autres enceintes.
- 6 Réglez le volume du système sonore à l'aide de la commande de volume de l'amplificateur.

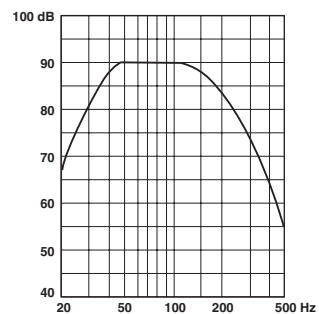
### Remarque

nous vous recommandons de régler le **VOLUME** sur un niveau intermédiaire lorsque vous utilisez un home cinéma multicanaux.



## Caractéristique de fréquence

### Caractéristique de fréquence de ce caisson de graves



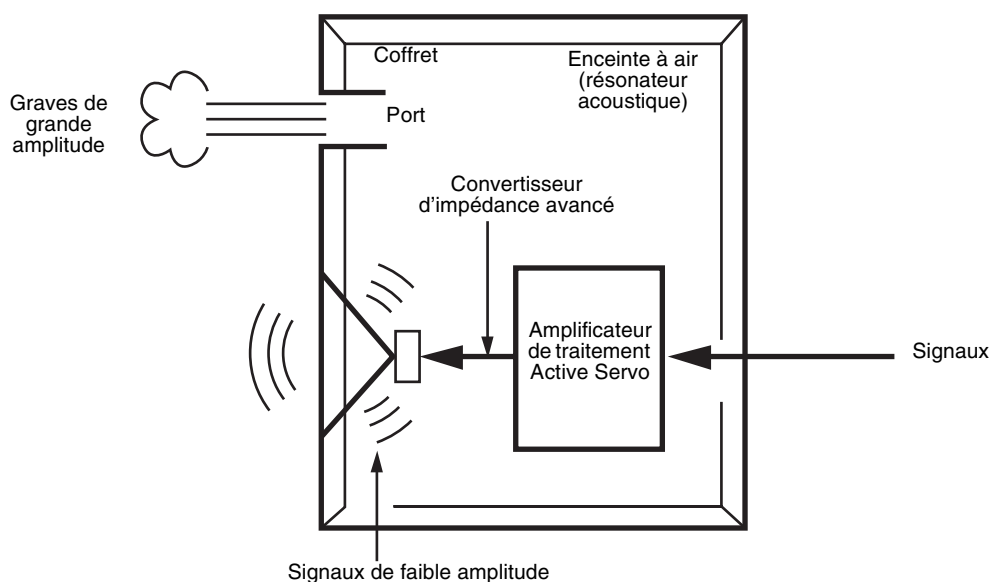
\* Ce graphique ne présente pas les caractéristiques de réponse en fréquence avec précision.

# TECHNOLOGIE ADVANCED YAMAHA ACTIVE SERVO TECHNOLOGY II

En 1988, Yamaha lance sur le marché des enceintes dotées de la technologie YST (Yamaha Active Servo Technology), un système assurant une restitution puissante et de haute qualité des basses fréquences. Grâce à une connexion directe entre l'amplificateur et l'enceinte, cette technologie garantit une transmission fidèle du signal et un réglage précis des enceintes.

Les enceintes étant pilotées par les circuits de commande par impédance négative de l'amplificateur, ainsi que par la résonance générée entre le volume de l'enceinte et le port, l'énergie résonante produite (concept d'« enceinte à air ») est supérieure à celle des enceintes bass reflex standard. Ceci permet aux enceintes de taille inférieure de restituer les basses fréquences.

Le nouveau système Advanced YST II de Yamaha ajoute de nombreuses améliorations à la technologie YST (Yamaha Active Servo Technology) grâce à un meilleur contrôle de la puissance qui commande l'amplificateur et l'enceinte. Au niveau de l'amplificateur, l'impédance de l'enceinte varie en fonction de la fréquence du son. Les nouveaux circuits créés par Yamaha, qui associent une commande par impédance négative à un pilotage à courant constant, offrent une plus grande stabilité des performances et une restitution nette des basses fréquences sans aucune opacité.



## RÉSOLUTION DES PROBLÈMES

Reportez-vous au tableau ci-dessous si l'appareil ne fonctionne pas correctement. Si le problème rencontré n'est pas décrit dans cette rubrique ou si les instructions données ne suffisent pas à le résoudre, débranchez le cordon d'alimentation et adressez-vous à votre revendeur YAMAHA ou à un centre de service après-vente agréé.

Problème	Cause	Solution
<b>Pas d'alimentation, même lorsque le commutateur POWER est en position ON.</b>	La fiche d'alimentation n'est pas correctement insérée.	Branchez-la correctement.
<b>Absence de son.</b>	Le volume est réglé au minimum.	Augmentez le volume.
	Les câbles d'enceinte ne sont pas correctement raccordés.	Connectez-les correctement.
<b>Le niveau sonore est trop faible.</b>	Le son de la source en cours de lecture ne contient pas suffisamment de graves.	Lisez une source disposant de graves.
	Les ondes stationnaires nuisent au son.	Changez la position du caisson de graves ou rompez les surfaces parallèles en plaçant des étagères ou d'autres objets le long des murs.



# CARACTÉRISTIQUES TECHNIQUES

<b>Type</b> ..... Technologie Advanced Yamaha Active Servo II	<b>Consommation électrique</b> ..... 40 W
<b>Pilote</b> ..... Enceinte de graves à cône de 16 cm Type à blindage magnétique	<b>Dimensions (L x H x P)</b> ..... 166 mm x 450 mm x 366 mm
<b>Sortie de l'amplificateur (100 Hz, 5 ohms, 10% THD)</b> ..... 50 W	<b>Poids</b> ..... 10 kg
<b>Réponse en fréquence</b> ..... 30 Hz - 160 Hz	Ces caractéristiques techniques sont sujettes à modification sans préavis.

## Alimentation

Modèles pour les États-Unis et le Canada ..... 120 V CA, 60 Hz
Modèles pour le Royaume-Uni et l'Europe ..... 230 V CA, 50 Hz
Modèle pour l'Australie ..... 240 V CA, 50 Hz
Modèle pour la Chine ..... 220 V CA, 50 Hz
Modèle pour la Corée ..... 220 V CA, 60 Hz
Modèles pour l'Asie et modèles standard ..... 110-120/220-240 V CA, 50/60 Hz

## Entretien du caisson de graves

- Lors du nettoyage, n'utilisez pas de solvant chimique (alcool, diluants, etc.), car vous risquez d'endommager la finition. Utilisez un chiffon propre et sec. En cas de tache persistante, humidifiez un chiffon avec de l'eau, essorez-le, puis frottez légèrement la surface.
- (Pour les modèles polis) Le fait de heurter la surface de l'instrument avec des objets durs en métal, en porcelaine ou autres peut provoquer une craquelure ou le pelage de la finition. Veillez donc à procéder avec précaution.

## Garantie Limitée pour l'Espace Économique Européenne et la Suisse

Merci d'avoir porté votre choix sur un produit Yamaha. Dans l'hypothèse où vous devriez recourir au service de notre garantie après-vente, veuillez contacter votre revendeur Yamaha. Si vous rencontrez la moindre difficulté, n'hésitez pas à contacter directement Yamaha dans votre pays de résidence. Vous pouvez trouver toutes informations complémentaires sur notre site Web (<http://www.yamaha-hifi.com/> ou <http://www.yamaha-uk.com/> pour les résidents au Royaume-Uni).

Yamaha garantit votre produit contre tout défaut de fabrication, pièces et main d'oeuvre, pour une durée de 2 ans à compter de la première date de vente au détail. Yamaha s'engage, dans les conditions décrites ci-après, à procéder à la réparation du produit défectueux (ou d'un quelconque de ses composants) ou à son remplacement à l'appréciation de Yamaha en prenant à sa charge les coûts relatifs aux pièces détachées et à la main d'oeuvre. Yamaha se réserve le droit de remplacer le produit par un modèle semblable, de par sa valeur et ses caractéristiques, dès lors que la commercialisation dudit produit a cessé ou bien lorsque sa réparation s'avère économiquement injustifiée.

### Conditions

1. La facture d'achat originelle ou un justificatif d'achat correspondant (indiquant la date d'achat, la référence du produit et le nom du revendeur) DOIT accompagner le produit défectueux, ainsi qu'une description précise du dysfonctionnement constaté. En l'absence de cette preuve d'achat, Yamaha se réserve le droit de refuser le service de la garantie et le produit peut être restitué aux frais du consommateur.
2. Le produit DOIT avoir été acheté par un distributeur agréé Yamaha au sein de l'Espace Economique Européen ou en Suisse.
3. Le produit doit n'avoir fait l'objet d'aucune modification ou altération, sauf accord écrit de Yamaha.
4. Les cas suivants font obstacle à l'application de la garantie:
  - a. Entretien périodique et réparation ou remplacement de pièces ayant subi une usure ou défaillance normale.
  - b. Dommages résultant de:
    - (1) Réparation effectuée par le consommateur lui-même ou par un tiers non autorisé.
    - (2) Emballage ou manutention inadéquats lors du transport du produit pour réparation. Veuillez noter qu'il est de la responsabilité de l'expéditeur de s'assurer que le produit est correctement emballé.
    - (3) Utilisation non-conforme du produit, correspondant aux cas non limitatifs (a) d'utilisation non-conforme à l'objet normal du produit ou non-conforme aux instructions d'utilisation, de maintenance ou d'installation publiées par Yamaha, (b) ou d'utilisation du produit incompatible avec les normes techniques ou de sécurité en vigueur au sein du pays d'utilisation.
    - (4) Accidents, foudre, dégât des eaux, incendie, ventilation incorrecte, fuite de pile ou toute autre cause échappant au contrôle de Yamaha.
    - (5) Les défauts de la configuration dans laquelle ce produit est incorporé et/ou l'incompatibilité avec des produits tiers.
    - (6) Produit importé au sein de l'EEE, et/ou en Suisse, par une autre entité que Yamaha, dès lors que ce produit n'est pas conforme aux normes techniques ou de sécurité du pays d'utilisation et/ou aux normes des produits commercialisés par Yamaha au sein de l'EEE et/ou en Suisse.
    - (7) Produits non audiovisuels.  
(Les produits soumis à une "Déclaration de Garantie AV de Yamaha" sont indiqués sur notre site Web à l'adresse <http://www.yamaha-hifi.com/> ou <http://www.yamaha-uk.com/> pour les résidents au Royaume-Uni.)
5. Lorsque la garantie diffère entre le pays d'achat et le pays d'utilisation du produit, la garantie du pays d'utilisation est applicable.
6. Yamaha ne saurait être tenu pour responsable de quelconques pertes ou dommages, directs, consécutifs ou autres, sa responsabilité au titre de la garantie étant strictement limitée à la réparation ou au remplacement du produit.
7. Nous vous invitons à sauvegarder toutes les données ou réglages personnalisés de votre produit, Yamaha ne pouvant être tenu responsable de leur modification ou perte.
8. La présente garantie laisse intégralement subsister les droits que le consommateur peut détenir au titre de la garantie légale en vigueur ou au titre du contrat de vente conclu avec son revendeur.

Vielen Dank, dass Sie sich für dieses YAMAHA-Produkt entschieden haben.

## ACHTUNG: Lesen Sie diese Informationen, bevor Sie den Lautsprecher verwenden

Machen Sie sich vor Gebrauch mit den folgenden Vorsichtsmaßnahmen vertraut. YAMAHA übernimmt keine Haftung für Sach- oder Personenschäden, die auf Nichtbefolgung der nachstehenden Vorsichtsmaßnahmen zurückzuführen sind.

- Bitte lesen Sie diese Bedienungsanleitung sorgfältig durch, damit die beste Geräteleistung gewährleistet werden kann. Bewahren Sie die Bedienungsanleitung sicher auf, um auch später stets sofort nachschlagen zu können.
- Stellen Sie den Lautsprecher an einem kühlen, trockenen und sauberen Ort auf, entfernt von Fenstern und Wärmequellen sowie sicher vor der Einwirkung von Erschütterungen, Staub, Feuchtigkeit und Kälte. Meiden Sie Quellen von Brummgeräuschen (Transformatoren, Motoren). Der Lautsprecher darf weder Regen noch Feuchtigkeit ausgesetzt werden, um Brand oder Stromschlag zu vermeiden.
- Das Gehäuse darf keinesfalls geöffnet werden. Falls Gegenstände in den Lautsprecher gelangen, wenden Sie sich an den Händler.
- Die Betriebsspannung muss dem auf der Rückseite angegebenen Wert entsprechen. Betrieb dieses Lautsprechers mit einer höheren als der angegebenen Spannung ist gefährlich und kann u. U. zu Brand oder Stromschlag führen.
- Im Interesse verminderter Brand- oder Stromschlaggefahr darf der Lautsprecher keinesfalls Regen oder Feuchtigkeit ausgesetzt werden.
- Bei Bedienteilen oder Anschlusskabeln unbedingt übermäßige Kraftanwendung vermeiden. Bei einem Transport des Lautsprechers sind zunächst das Stromversorgungskabel und die Anschlusskabel zu anderen Komponenten abzutrennen. Dabei keinesfalls direkt an den Kabeln zeren.
- Vor einem längeren Nichtgebrauch des Lautsprechers (z. B. im Urlaub) ist der Netzstecker aus der Steckdose zu ziehen.
- Zum Schutz vor Schäden durch Blitzschlag ist der Netzstecker bei einem Gewitter aus der Steckdose zu ziehen.
- Der Lautsprecher verfügt über einen integrierten Leistungsverstärker, so dass seine Rückseite Wärme abstrahlt. Daher ist bei der Aufstellung ein Sicherheitsabstand von Wänden einzuhalten, wobei zum Schutz vor Brand oder Beschädigung über, hinter und an beiden Seiten des Lautsprechers mindestens 20 cm Freiraum einzuhalten ist. Darüber hinaus ist eine Aufstellung auf dem Boden oder anderen Unterlagen mit der Rückseite nach unten keinesfalls zulässig.
- Die Lautsprecherrückseite darf keinesfalls mit Objekten wie Zeitungen, Tischdecken oder Vorhängen abgedeckt werden, damit die Wärmeabstrahlung nicht behindert wird. Bei Wärmestau im Lautsprecher droht u. U. die Gefahr von Bränden bzw. Sach- oder Personenschäden.
- Stellen Sie keinesfalls folgende Gegenstände auf den Lautsprecher:

Glaswaren, Porzellan kleine Metallgegenstände und dgl.

Wenn solche Gegenstände aufgrund von Vibrationen herunterfallen und zerbrechen, drohen u. U. Personenschäden. Brennende Kerzen und dgl.

Wenn eine Kerze aufgrund von Vibrationen herunterfällt, droht u. U. die Gefahr von Bränden und Personenschäden.

Mit Wasser gefüllte Gefäße

Wenn solche Gefäße aufgrund von Vibrationen herunterfallen und Wasser ausläuft, droht u. U. Beschädigungsgefahr für den Lautsprecher und Stromschlaggefahr für Sie.

**VORSICHT**  
IM INTERESSE VERMINDERTER BRAND- ODER STROMSCHLAGGEFAHR DARF DER LAUTSPRECHER KEINESFALLS REGEN ODER FEUCHTIGKEIT AUSGESETZT WERDEN.

- Unbedingt Aufstellorte meiden, wo der Lautsprecher der Einwirkung von Fremdkörpern wie Tropfwasser ausgesetzt ist. Andernfalls droht u. U. die Gefahr von Bränden bzw. Sach- oder Personenschäden.
- Fassen Sie keinesfalls mit der Hand in die YST-Öffnung an der rechten Lautsprecherseite bzw. stecken Sie dort keinen Fremdkörper hinein. Wenn der Lautsprecher transportiert wird, fassen Sie beim Tragen nicht in die Öffnung, da sonst u. U. Personen- oder Sachschäden am Lautsprecher drohen.
- Keinesfalls leicht zerbrechliche Gegenstände in die Nähe der YST-Öffnung des Lautsprechers stellen. Falls solche Gegenstände aufgrund des Luftdrucks umfallen oder herunterfallen, drohen u. U. Personenschäden oder Sachschäden am Lautsprecher.
- Das Gehäuse darf keinesfalls geöffnet werden. Andernfalls droht Stromschlaggefahr wegen der hohen Spannung im Lautsprecherinneren. Außerdem droht u. U. auch die Gefahr von Personenschäden oder Sachschäden am Lautsprecher.
- Bei Verwendung eines Luftbefeuchters müssen Sie Kondensation im Lautsprecher unbedingt verhindern, indem Sie für ausreichend Freiraum um den Lautsprecher herum sorgen oder übermäßige Befeuchtung ausschließen. Bei Kondensation drohen u. U. Brände und Sachschäden bzw. Stromschläge.
- Die Super-Basswiedergabe des Lautsprechers kann bei Plattenspielern zum Auftreten von Jaulen führen. In solch einem Fall den Lautsprecher in größerem Abstand vom Plattenspieler aufstellen.
- Dem Lautsprecher droht Beschädigungsgefahr, wenn bestimmte Klänge im Dauerbetrieb mit hoher Lautstärke wiedergegeben werden. Daher ist z. B. bei der Dauerwiedergabe von Sinuswellen mit 20 Hz - 50 Hz von einer Testplatte, Bassklängen von elektronischen Instrumenten oder beim Aufsetzen des Tonabnehmers auf Schallplatten zum Schutz des Lautsprechers vor Beschädigung der Lautstärkepegel zu reduzieren.
- Bei hörbarer Klangverzerrung (z. B. unnatürliche, intermittierende „klopfende“ oder „hämmernde“ Klänge) bei der Lautsprecherwiedergabe müssen Sie unbedingt die Lautstärke reduzieren. Bei extrem lauter Wiedergabe der tiefen Frequenzen von Soundtracks, stark bassbetonten Klängen oder vergleichbar lauten Popmusikpassagen droht u. U. Beschädigungsgefahr für das Lautsprechersystem.
- Vibrationen aufgrund von Super-Basswiedergabe führen u. U. zur Fernsehbildverzerrung. In solch einem Fall den Lautsprecher in größerem Abstand vom Fernsehgerät aufstellen.
- Versuchen Sie nicht, den Lautsprecher mit chemischen Lösungsmitteln zu reinigen, da sonst u. U. eine Beschädigung der Oberfläche droht. Verwenden Sie ein sauberes, trockenes Tuch.
- Bei einem vermuteten Lautsprecherdefekt schlagen Sie unbedingt zunächst im Abschnitt „STÖRUNGSSUCHE“ über häufige Bedienungsfehler nach.
- Der Lautsprecher ist in der Nähe einer Steckdose aufzustellen, damit der Netzstecker stets bequem erreichbar ist.
- **Eine sichere Aufstellung oder Installation liegt in der Verantwortung des Besitzers. YAMAHA übernimmt keinerlei Haftung für Unfälle, die auf unsachgemäße Aufstellung oder falschen Anschluss von Lautsprechern zurückzuführen sind.**

Über, hinter und an beiden Seiten des Lautsprechers ist unbedingt ein Freiraum von mindestens 20 cm einzuhalten.

- **SPANNUNGSWÄHLER**  
(Nur Modelle für Asien und allgemeine Modelle)  
Der Spannungswähler an der Rückseite ist **unbedingt auf die vor Ort übliche Netzspannung einzustellen, BEVOR der Lautsprecher mit dem Stromnetz verbunden wird.** Wählbare Wechselspannungen: 110-120/220-240 V, 50/60 Hz.

Die Stromversorgung bleibt aktiviert, solange der Lautsprecher mit der Steckdose verbunden ist, auch wenn er über den Netzschalter ausgeschaltet ist. In diesem Bereitschaftszustand hat der Lautsprecher einen sehr geringen Energieverbrauch.

Der Lautsprecher verfügt zwar über eine magnetische Abschirmung, aber dennoch ist nicht ganz ausgeschlossen, dass bei zu geringem Abstand von Fernsehgeräten die Bildfarbe u. U. beeinträchtigt wird. Gegebenenfalls den Lautsprecher weiter entfernt vom Fernsehgerät aufstellen.

#### Verbraucherinformation zur Sammlung und Entsorgung alter Elektrogeräte



Befindet sich dieses Symbol auf den Produkten, der Verpackung und/oder beiliegenden Unterlagen, so sollten benutzte elektrische Geräte nicht mit dem normalen Haushaltsabfall entsorgt werden.

In Übereinstimmung mit Ihren nationalen Bestimmungen und den Richtlinien 2002/96/EC, bringen Sie alte Geräte bitte zur fachgerechten Entsorgung, Wiederaufbereitung und Wiederverwendung zu den entsprechenden Sammelstellen.

Durch die fachgerechte Entsorgung der Elektrogeräte helfen Sie, wertvolle Ressourcen zu schützen und verhindern mögliche negative Auswirkungen auf die menschliche Gesundheit und die Umwelt, die andernfalls durch unsachgerechte Müllentsorgung auftreten könnten.

Für weitere Informationen zum Sammeln und Wiederaufbereiten alter Elektrogeräte, kontaktieren Sie bitte Ihre örtliche Stadt- oder Gemeindeverwaltung, Ihren Abfallentsorgungsdienst oder die Verkaufsstelle der Artikel.

[Entsorgungsinformation für Länder außerhalb der Europäischen Union]

Dieses Symbol gilt nur innerhalb der Europäischen Union. Wenn Sie solche Artikel ausrangieren möchten, kontaktieren Sie bitte Ihre örtlichen Behörden oder Ihren Händler und fragen Sie nach der sachgerechten Entsorgungsmethode.



# INHALTSVERZEICHNIS

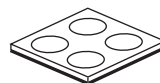
GERÄTEMERKMALE .....	1
ZUBEHÖR .....	1
ANBRINGEN DER RUTSCHFESTEN STANDFÜSSE... 1	
PLATZIERUNG .....	2
DIE BEDIENTEILE UND IHRE FUNKTIONEN..... 2	
ANSCHLÜSSE .....	3
Verbindung mit dem Line-Ausgang (Cinch-Buchse) des Verstärkers .....	3
Verbinden des Subwoofers mit der Netzsteckdose .....	3
EINSTELLUNG DES SUBWOOFERS VOR GEBRAUCH .....	3
Frequenzgang .....	3
ADVANCED YAMAHA ACTIVE SERVO TECHNOLOGY II.....	4
STÖRUNGSSUCHE.....	4
TECHNISCHE DATEN .....	5

# GERÄTEMERKMALE

- Dieser Subwoofer nutzt „Advanced Yamaha Active Servo Technology II“, eine Technologie, die Yamaha zur Wiedergabe von Super-Bassklang in höherer Qualität entwickelt hat. (Näheres über die „Advanced Yamaha Active Servo Technology II“ siehe Seite 4.) Der Super-Bassklang verleiht Ihrem Audiosystem zusätzlich einen noch realistischeren „Heimkinoeffekt“.
- Der Subwoofer lässt sich problemlos in jedes vorhandene Audiosystem integrieren, und zwar entweder durch Anschluss an die Lautsprecherklemmen oder den Line-Ausgang (Cinch-Buchse) des Verstärkers.
- Dank seiner einzigartigen Yamaha-Linearöffnung liefert das Subwoofersystem eine glatte Bassresonanz während der Wiedergabe, so dass externes Rauschen, das nicht zum ursprünglichen Eingangssignal gehört, minimiert wird.

# ZUBEHÖR

Überprüfen Sie nach dem Auspacken, dass die folgenden Teile vorhanden sind.

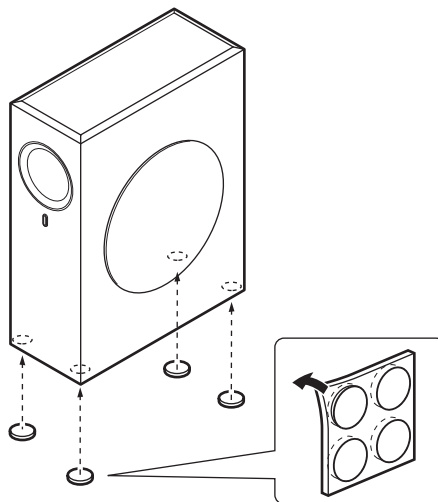


Rutschfeste  
Standfüße

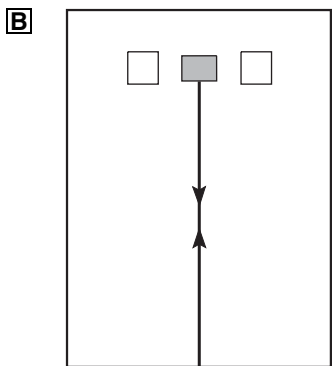
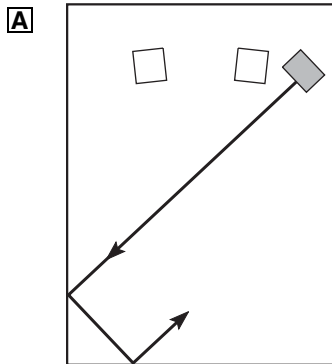
# ANBRINGEN DER RUTSCHFESTEN STANDFÜSSE

Um in den Genuss hoher Klangqualität zu kommen, ist für eine stabile Lage des Subwoofers mittels rutschfester Standfüße zu sorgen.

Bringen Sie die mitgelieferten rutschfesten Standfüße in den vier Ecken an der Unterseite des Subwoofers an, damit der Subwoofer nicht durch äußere Einwirkungen wie z. B. Vibrationen verrutschen kann.



## PLATZIERUNG



(■ : Subwoofer, □ : Frontlautsprecher)

Der Subwoofer trägt zur Verbesserung Ihres Audiosystems bei.

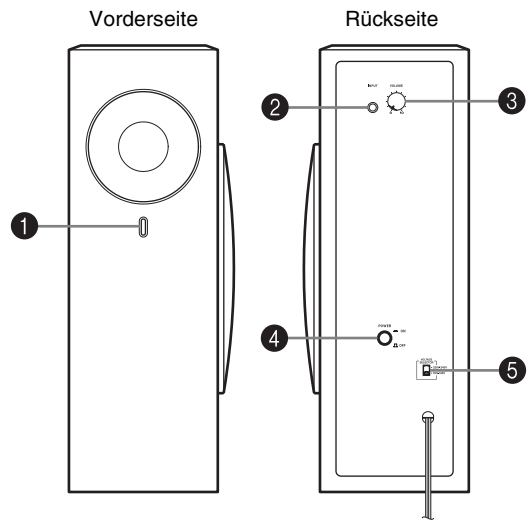
Beim Einsatz empfiehlt sich eine Platzierung des Subwoofers ganz außen entweder neben dem rechten oder linken Frontlautsprecher. (Siehe Abb. **A**.) Eine Platzierung gemäß Abb. **B** ist ebenfalls möglich; bei einer Platzierung des Subwoofersystems mit direkter Ausrichtung zur gegenüber liegenden Wand kann allerdings der Basseffekt aufgrund des Auslöschens direkter und reflektierter Schallwellen leiden. Um diese Erscheinung zu vermeiden, ist das Subwoofersystem im Winkel aufzustellen wie in Abb. **A**.

### Hinweis

Unter Umständen sind bei einer Hörposition in der Mitte des Raums die Super-Bassklänge vom Subwoofer nicht ausreichend wahrnehmbar. Der Grund hierfür sind „Stehwellen“, die sich zwischen zwei parallelen Wänden ausbilden und die Bassklänge auslöschen.

In solch einem Fall ist der Subwoofer in einem spitzen Winkel zur Wand aufzustellen. Außerdem ist es ggf. erforderlich, den parallelen Verlauf der Wandflächen z. B. durch Aufstellen von Bücherschränken entlang den Wänden zu unterbrechen.

## DIE BEDIENTEILE UND IHRE FUNKTIONEN



### 1 Netzanzeige

Leuchtet grün, wenn der Netzschalter POWER aktiviert ist (Stellung ON); erlischt, wenn der Netzschalter POWER deaktiviert wird (Stellung OFF).

### 2 Eingangsbuchse INPUT (VOM VERSTÄRKER)

Dient zur Verbindung des Subwoofers mit der Subwoofer-Ausgangsbuchse am Verstärker. (Näheres hierzu findet sich unter „ANSCHLÜSSE“.)

### 3 Lautstärkereglер VOLUME

Zur Einstellung des Lautstärkepegels. Durch Drehen des Reglers im Uhrzeigersinn wird die Lautstärke erhöht und durch Drehen entgegen dem Uhrzeigersinn vermindert.

### 4 Netzschalter POWER

Durch Drücken des Schalters in Stellung ON wird die Stromversorgung des Subwoofers eingeschaltet. Bei erneutem Drücken des Schalters in Stellung OFF wird die Stromversorgung des Subwoofers ausgeschaltet.

### 5 Spannungswähler VOLTAGE SELECTOR

(Nur Modelle für Asien und allgemeine Modelle)

Ist die Schaltereinstellung inkorrekt, so wählen Sie die vor Ort geltende Netzspannung (110-120/220-240 V). Wenden Sie sich an den Händler, falls Ihnen die richtige Einstellung unklar ist.

### VORSICHT

Vor der richtigen Einstellung des Spannungswählers VOLTAGE SELECTOR ist unbedingt der Netzstecker des Subwoofers herauszuziehen.

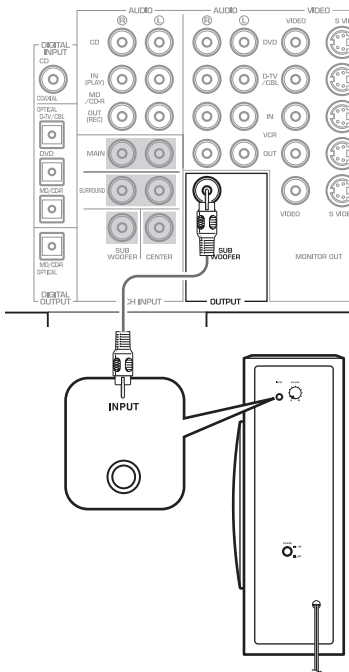
# ANSCHLÜSSE

**Achtung:** Vor der Herstellung der Kabelverbindungen sind der Subwoofer und die anderen Audio-/Videokomponenten vom Stromnetz zu trennen.

## Verbindung mit dem Line-Ausgang (Cinch-Buchse) des Verstärkers

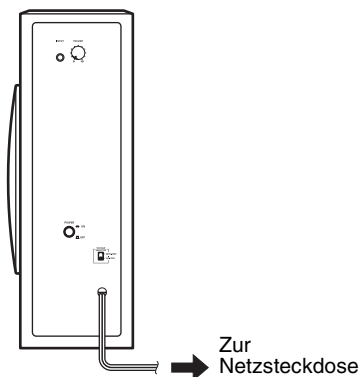
Zum Anschluss an einen Verstärker (oder AV-Receiver) ist der SUBWOOFER-Ausgang an der Rückseite von Verstärker (oder AV-Receiver) mit dem INPUT-Eingang am Subwoofer zu verbinden.

Verstärker (Die Auslegung der Rückseite unterscheidet sich u. U. bei verschiedenen Verstärkern.)



## Verbinden des Subwoofers mit der Netzsteckdose

Nach dem alle Verbindungen hergestellt sind, sind die Netzstecker des Subwoofers und der anderen Audio-/Videokomponenten in Steckdosen zu stecken.



# EINSTELLUNG DES SUBWOOFERS VOR GEBRAUCH

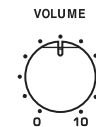
Vor seinem Einsatz ist der Subwoofer gemäß dem nachstehend beschriebenen Verfahren auf optimale Lautstärkebalance mit den Frontlautsprechern einzustellen.



- 1 Stellen Sie Lautstärkeregler **VOLUME** auf Mindestwert (0).
- 2 Schalten Sie die Stromversorgung aller anderen Komponenten ein.
- 3 Sorgen Sie dafür, dass der Netzschalter **POWER** in Stellung ON ist.  
\* Daraufhin leuchtet die Netzanzeige grün.
- 4 Spielen Sie eine Signalquelle mit tiefen Frequenzen ab und stellen Sie mit dem Regler am Verstärker die Lautstärke auf den gewünschten Wert ein.
- 5 Erhöhen Sie die Lautstärke allmählich zur Einstellung der Lautstärkebalance zwischen Subwoofer und Frontlautsprechern.  
Um in den Genuss eines natürlichen Bassklangs zu kommen, ist die Subwoofer-Lautstärke auf einem Pegel zu halten, auf dem sie sich kaum von dem der anderen Lautsprecher unterscheidet.
- 6 Stellen Sie nun die Lautstärke des gesamten Klangsystems mit dem Regler am Verstärker ein.

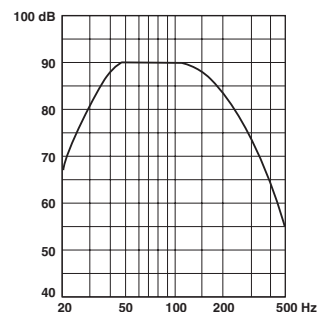
### Hinweis

Bei einem Mehrkanal-Heimkinosystem empfiehlt sich die Einstellung des Lautstärkereglers **VOLUME** ungefähr auf die mittlere Position.



## Frequenzgang

### Frequenzgang des Subwoofers



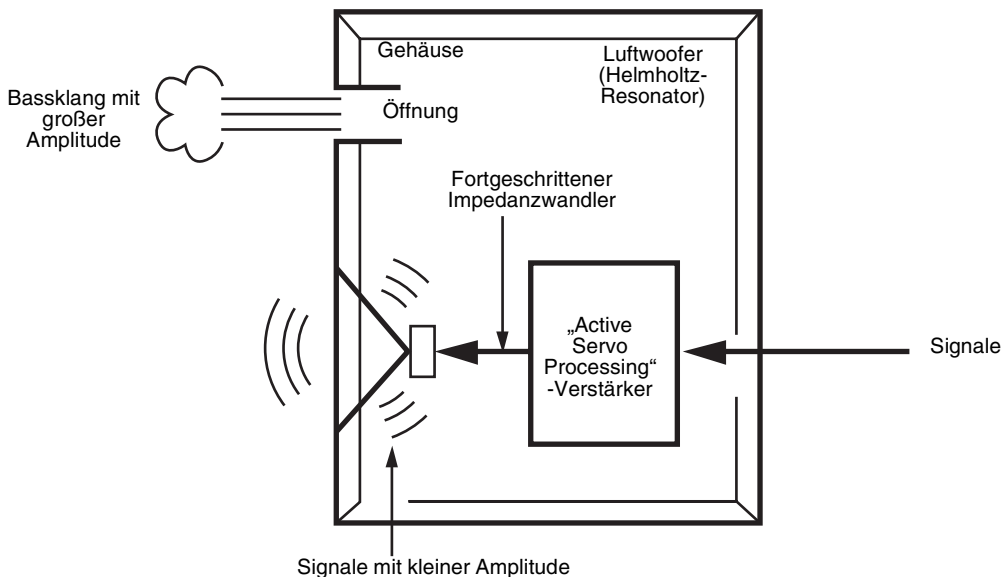
\* Dieses Schaubild zeigt nicht die tatsächlichen Frequenzgang-Charakteristiken.

# ADVANCED YAMAHA ACTIVE SERVO TECHNOLOGY II

Im Interesse einer leistungsstarken hochwertigen Basswiedergabe brachte Yamaha 1988 Lautsprechersysteme mit YST-Technologie („Yamaha Active Servo Technology“) auf den Markt. Diese Technologie ermöglicht dank direkter Verbindung zwischen Verstärker und Lautsprecher eine saubere Signalübertragung und präzise Lautsprecheransteuerung.

Da bei dieser Technologie Lautsprecher eingesetzt werden, deren Ansteuerung über den Negative-Impedanz-Treiber des Verstärkers und der zwischen Lautsprechergehäusevolumen und Ausgangsöffnung entstehenden Resonanz erfolgt, entsteht mehr Resonanzenergie („Luftwoofer“-Konzept) als beim herkömmlichen Bassreflex-Verfahren. So wird eine Basswiedergabe mit erheblich kleineren Gehäusen als bisher möglich.

Yamahas neu entwickelte „Advanced YST II“ verfeinert die „Yamaha Active Servo Technology“ in vielfacher Weise, so dass eine bessere Kontrolle der Kräfte möglich ist, die Verstärker und Lautsprecher ansteuern. Aus der Sicht des Verstärkers ändert sich die Lautsprecherimpedanz entsprechend der Klangfrequenz. Das von Yamaha entwickelte neue Schaltungsdesign kombiniert Negative-Impedanz- und Konstantstrom-Treiber, was zu einer stabileren Leistung und transparenteren Basswiedergabe ohne jede Trübung führt.



## STÖRUNGSSUCHE

Falls der Lautsprecher nicht einwandfrei funktioniert, ist anhand der nachstehenden Tabelle vorzugehen. Sind die auftretenden Probleme dort nicht aufgeführt oder ist anhand der Anweisungen keine Abhilfe möglich, so ist der Netzstecker aus der Steckdose zu ziehen und ein YAMAHA-Vertragshändler oder der YAMAHA-Kundendienst zu kontaktieren.

Problem	Mögliche Ursache	Abhilfemaßnahme
<b>Keine Stromversorgung trotz Netzschalter POWER in ON-Stellung.</b>	Der Netzstecker ist nicht sicher eingesteckt.	Sicher bis zum Anschlag einstecken.
<b>Keine Klangwiedergabe.</b>	Die Lautstärke ist auf Mindestwert eingestellt.	Die Lautstärke erhöhen.
	Die Lautsprecherkabel sind nicht sicher angeschlossen.	Sicher anschließen.
<b>Lautstärke zu niedrig.</b>	Wiedergabe einer Signalquelle mit geringem Bassfrequenzanteil.	Eine Signalquelle mit Bassfrequenzen wiedergeben.
	Beeinflussung durch Stehwellen.	Den Aufstellort des Subwoofers ändern oder parallele Wandflächen z. B. mittels Bücherregalen entlang den Wänden unterbrechen.



# TECHNISCHE DATEN

Typ .... „Advanced Yamaha Active Servo Technology II“	Leistungsaufnahme..... 40 W
Treiber ..... 16-cm-Konus-Tieftöner Mit magnetischer Abschirmung	Abmessungen (B × H × T) ..... 166 mm × 450 mm × 366 mm
Verstärkerleistung (100 Hz, 5 Ohm, 10 % THD) ..... 50 W	Gewicht ..... 10 kg
Frequenzgang..... 30 Hz - 160 Hz	Bitte beachten, dass bei allen technischen Daten Änderungen vorbehalten sind.

## Stromversorgung

Modelle für USA und Kanada ..... Wechselspannung 120 V, 60 Hz
Modelle für GB und Europa ..... Wechselspannung 230 V, 50 Hz
Modell für Australien ..... Wechselspannung 240 V, 50 Hz
Modell für China ..... Wechselspannung 220 V, 50 Hz
Modell für Korea ..... Wechselspannung 220 V, 60 Hz
Modelle für Asien und allgemeine Modelle ..... Wechselspannung 110-120/220-240 V, 50/60 Hz

## Pflege des Subwoofers

- Wenn Sie dieses Gerät abwischen, verwenden Sie keine chemischen Lösungsmittel (z. B. Alkohol oder Verdüner usw.): Andernfalls wird möglicherweise die Oberfläche beschädigt. Verwenden Sie ein sauberes, trockenes Tuch. Befeuchten Sie bei hartnäckigen Flecken ein weiches Tuch mit Wasser, wringen Sie es aus, und wischen Sie den Lautsprecher dann mit dem Tuch ab.
- (Für Modelle mit polierter Oberfläche) Durch Stöße mit Gegenständen aus Metall oder Porzellan oder mit anderen harten Objekten kann die Oberfläche Risse erhalten oder abblättern. Vorsicht bei Verwendung.

## Begrenzte Garantie für den Europäischen Wirtschaftsraum (EWR) und die Schweiz

Herzlichen Dank, dass Sie sich für ein Yamaha Produkt entschieden haben. In dem unwahrscheinlichen Fall, dass die Garantie für das Yamaha-Produkt in Anspruch genommen werden muss, wenden Sie sich bitte an den Händler, bei dem es gekauft wurde. Sollten Sie auf Schwierigkeiten stoßen, wenden Sie sich bitte an die Yamaha Repräsentanz in Ihrem Land. Auf unserer Internetseite (<http://www.yamaha-hifi.com/> oder <http://www.yamaha-uk.com/> für Einwohner Großbritanniens) finden Sie alle Einzelheiten.

Wir garantieren für einen Zeitraum von zwei Jahren ab ursprünglichem Kaufdatum, dass dieses Produkt frei von Verarbeitungs- oder Materialfehlern ist. Yamaha verpflichtet sich, gemäß der nachstehend angeführten Bedingungen, ein fehlerhaftes Produkt (oder Teile desselben) kostenfrei (gilt für Teile und Arbeit) zu reparieren oder auszutauschen. Diese Entscheidung obliegt ausschließlich Yamaha. Yamaha behält sich vor, das Produkt gegen ein in Art und/oder Wert und Zustand ähnliches Produkt auszutauschen, wenn das entsprechende Modell nicht mehr erzeugt wird, oder die Reparatur als unrentabel angesehen wird.

### Bedingungen

1. Dem defekten Produkt MUSS die Originalrechnung oder der Originalkaufbeleg (der Beleg muss das Kaufdatum, den Produkt-Code und den Namen des Händlers aufweisen) beigelegt werden, ebenso eine Fehlerbeschreibung. Bei Fehlen einer eindeutigen Kaufbestätigung behält sich Yamaha das Recht vor, den kostenfreien Service abzulehnen und das Produkt auf Kosten des Kunden zu retournieren.
2. Das Produkt MUSS von einem AUTORISIERTEN Yamaha-Händler innerhalb des Europäischen Wirtschaftsraums (EWR) oder der Schweiz gekauft worden sein.
3. Es wurden keine wie auch immer gearteten Änderungen am Produkt vorgenommen, außer diese wurden von Yamaha schriftlich genehmigt.
4. Folgendes ist von der Garantie ausgeschlossen:
  - a. Regelmäßige Wartung und Reparatur oder Austausch von Verschleißteilen.
  - b. Schaden durch:
    - (1) Vom Kunden selber oder von nichtbefugten Dritten ausgeführte Reparaturen.
    - (2) Unsachgemäße Verpackung oder Handhabung während des Transports vom Kunden. Beachten Sie bitte, dass die sachgerechte Verpackung des zur Reparatur gebrachten Produkts in der Verantwortung des Retournierenden liegt.
    - (3) Unsachgemäße Verwendung, einschließlich der, jedoch nicht beschränkt auf, (a) die Verwendung des Produkts zu anderen als den normalen Zwecken oder Behandlung entgegen die Anweisungen Yamahas zur korrekten Handhabung, Wartung oder Lagerung und (b) die Installation oder Verwendung des Produkts auf andere Weise als dies den technischen oder Sicherheitsstandards jenes Landes entspricht, in dem das Produkt verwendet wird.
    - (4) Unfälle, Blitzschlag, Wasser, Feuer, ungeeignete Belüftung, Auslaufen der Batterie oder jedem anderen Grund, den Yamaha nicht beeinflussen kann.
    - (5) Defekte an jenem System, an welches dieses Produkt angeschlossen wird und/oder die Inkompatibilität mit Produkten anderer Hersteller.
    - (6) Die Verwendung eines nicht von Yamaha in den EWR und/oder die Schweiz importierten Produkts, wenn dieses Produkt nicht den technischen oder Sicherheitsstandards jenes Landes, in dem es verwendet wird, und/oder der standardisierten Produktspezifikation für von Yamaha im EWR und/oder der Schweiz vertriebene Produkte, entspricht.
    - (7) Andere als für den AV- (audio-visuellen) Bereich bestimmte Produkte.  
(Produkte, die der „Yamaha AV-Garantieerklärung“ unterliegen, sind auf unserer Website bei <http://www.yamaha-hifi.com/> oder <http://www.yamaha-uk.com/> für Einwohner Großbritanniens definiert.)
5. Wenn es Unterschiede in den Garantiebedingungen zwischen jenem Land in dem das Produkt gekauft wurde, und jenem in dem das Produkt verwendet wird, finden die Garantiebedingungen jenes Landes Anwendung, in dem das Produkt verwendet wird.
6. Yamaha kann für keinerlei Verluste oder Schäden, ob direkt, in Konsequenz oder anderweitig, verantwortlich gemacht werden, außer bezüglich der Reparatur oder des Ersatzes eines Produkts.
7. Legen Sie bitte Kopien aller persönlichen Einstellungen und Daten an, da Yamaha weder für irgendwelche Änderungen noch für den Verlust solcher Daten verantwortlich gemacht werden kann.
8. Diese Garantie beeinflusst nicht die gesetzlichen Verbraucherrechte unter dem geltenden nationalen Recht oder die Verbraucherrechte gegenüber dem Händler, die durch einen Kaufvertrag entstehen.

## FÖRSIKTIGT: Läs följande innan du använder enheten

Läs följande användaranvisningar innan du använder enheten. YAMAHA kan inte hållas ansvarig för eventuella materiella skador och/eller personskador som uppstår till följd av underlåtenhet att läsa följande försiktighetsåtgärder.

- Läs denna bruksanvisning noggrant för att få ut det mesta av enhetens överlägsna prestanda. Förvara den på en säker plats så att du kan referera till den i framtiden.
  - Installera denna enhet på ett svalt, torrt och rent ställe på avstånd från fönster, värmekällor, kraftiga vibrationer, damm, fukt och kyla. Undvik bruskällor (transformatorer och elmotorer). Enheten får inte utsättas för regn och fukt, då risk för brand och elektriska stötar föreligger.
  - Öppna aldrig apparathöljet. Kontakta återförsäljaren om främmande föremål skulle hamna inuti apparaten.
  - Enheten får endast anslutas till den spänning som anges på baksidan. Att ansluta enheten till högre spänning än vad som angetts, är farligt och kan orsaka brand och/eller elektriska stötar.
  - För att minska risken för brand eller elektriska stötar, får enheten inte utsättas för regn eller fukt.
  - Använd inte för mycket kraft på omkopplare, reglage eller anslutningskablar. När du ska flytta enheten, ska du först koppla bort nätsladden och kablar som är anslutna till annan utrustning. Dra aldrig i själva kablarna.
  - Dra ut stickproppen ur eluttaget om apparaten inte ska användas under en längre tid (t.ex. under semestern).
  - Dra ut stickproppen ur eluttaget vid åskväder för att förhindra skador vid blixtnedslag.
  - Eftersom enheten har en inbyggd effektförstärkare, avges värme från bakpanelen. Placera enheten på avstånd från väggarna, och lämna minst 20 cm ovanför, bakom och på båda sidor om enheten för att förhindra brand eller skador. Placera den inte heller med bakpanelen mot golvet eller mot andra ytor.
  - Täck inte över bakpanelen med tidningar, dukar, gardiner osv., eftersom det kan blockera värmeavledningen. Om temperaturen inuti enheten stiger alltför mycket, kan det resultera i brand, skador på enheten och/eller personskador.
  - Ställ inte följande saker ovanpå enheten: Glas, porslin, små metall-, osv.  
Om ett glas eller liknande faller i golvet och går sönder till följd av vibrationer, kan resultatet bli personskador. Ett brinnande stearinljus osv.  
Om ljuset faller i golvet till följd av vibrationer, kan det orsaka personskador.  
En behållare med vätska  
Om behållaren stjälpes till följd av vibrationer och vätskan spills ut, kan högtalaren skadas och/eller du kan få en elektrisk stöt.
- Placera inte denna enhet på platser där främmande föremål eller vätskor kan trilla ned på den. Det kan resultera i brand, skador på enheten och/eller personskador.
  - Stick inte in i händer eller främmande föremål i YST-porten på höger sida av enheten. När du flyttar enheten, får du inte hålla i porten, eftersom det kan orsaka personskador och/eller skador på enheten.
  - Placera aldrig ett ömtåligt föremål nära YST-porten på den här enheten. Om föremålet välter eller trillar ned finns det risk att enheten skadas och/eller personskador.
  - Öppna aldrig apparathöljet. Det kan leda till elektriska stötar eftersom enheten använder högspänning. Det kan även orsaka personskador och/eller skador på enheten.
  - Om du använder en luftfuktare måste du undvika att kondens bildas inuti enheten genom att lämna tillräckligt med fritt utrymme runt enheten eller undvika allt för hög luftfuktighet i rummet. Kondens kan resultera i brand, skador på enheten och/eller elektriska stötar.
  - Superbasfrekvenser som genereras av denna högtalare kan göra att en skivspelare ger ifrån sig ett tjutande ljud. Om detta inträffar flyttar du enheten längre bort från skivspelaren.
  - Den här enheten kan skadas om vissa ljud matas ut kontinuerligt vid hög ljudnivå. Om till exempel sinusvågor på 20 Hz - 50 Hz från en testskiva, basljud från elektroniska instrument osv., matas ut kontinuerligt, eller när nålen på en vanlig skivspelare träffar skivan, ska du sänka ljudnivån för att undvika att denna enhet skadas.
  - Sänk ljudstyrkenivån om du hör ljudförvrängningar (dvs. onaturligt ”smattrande” eller ”hamrande” ljud) från denna enhet. Högtalarsystemet kan skadas om du spelar basfrekvenserna på en films ljudspår, tunga basljud eller liknande kraftiga popmusikpassager med för hög ljudnivå.
  - Vibrationer som genereras av superbasfrekvenser kan orsaka bildstörningar på en närliggande TV. Om detta inträffar ska du flytta enheten längre bort från TV:n.
  - Rengör aldrig enhetens hölje med kemiska lösningar, eftersom det kan skada dess ytfinish. Använd en ren, torr trasa.
  - Läs avsnittet ”FELSÖKNING” vid vanliga manövreringsfel, innan du drar slutsatsen att det föreligger något fel på enheten.
  - Installera enheten nära ett vägguttag och på plats där stickkontakten lätt kan kommas åt.
  - **Det är ägarens ansvar att se till att systemet placeras och installeras säkert. YAMAHA tar inget ansvar för några som helst skador som uppstår på grund av felaktig placering eller installation av högtalarna.**

Lämna alltid minst 20 cm ovanför, bakom och på båda sidor om enheten.

### WARNING!

FÖR ATT MINSKA RISKEN FÖR BRAND ELLER ELEKTRISKA STÖTAR, SKA DU INTE UTSÄTTA ENHETEN FÖR REGN ELLER FUKT.

- **Spänningsväljare (VOLTAGE SELECTOR)**  
(Endast på modeller för Asien och den allmänna modellen)

**Spänningsväljaren på enhetens bakpanel måste ställas in på den spänning som används i området INNAN enheten ansluts till elnätet. Du kan välja mellan 110-120/220-240 V växelström, 50/60 Hz.**

Den här enheten är inte bortkopplad från nätströmmen så länge den är inkopplad i vägguttaget, även om själva enheten är avstängd. Enheten är konstruerad för att förbruka en mycket liten mängd ström i detta tillstånd.

Enheten är magnetiskt avskärmd, men det finns dock en liten risk att den kan påverka färgåtergivningen om den ställs för nära en TV-apparat. Om detta inträffar ska du flytta enheten längre bort från TV:n.

#### Användarinformation, beträffande insamling och dumpning av gammal utrustning



Denna symbol, som finns på produkterna, emballaget och/eller bifogade dokument talar om att de använda elektriska och elektroniska produkterna inte ska blandas med allmänt hushållsavfall.

För rätt handhavande, återställande och återvinning av gamla produkter, vänligen medtag dessa till lämpliga insamlingsplatser, i enlighet med din nationella lagstiftning och direktiven 2002/96/EC.

Genom att slänga dessa produkter på rätt sätt, kommer du att hjälpa till att rädda värdefulla resurser och förhindra möjliga negativa effekter på mänsklig hälsa och miljö, vilka i annat fall skulle kunna uppstå, p.g.a. felaktig sophantering.

För mer information om insamling och återvinning av gamla produkter, vänligen kontakta din lokala kommun, ditt sophanteringsföretag eller inköpsstället för dina varor.

[Information om sophantering i andra länder utanför EU]

Denna symbol gäller endast inom EU. Om du vill slänga dessa föremål, vänligen kontakta dina lokala myndigheter eller försäljare och fråga efter det korrekta sättet att slänga dem.



## INNEHÅLL

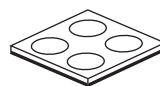
EGENSKAPER .....	1
MEDFÖLJANDE TILLBEHÖR.....	1
FÄSTA GLIDSKYDDSDYNNORNA.....	1
PLACERING .....	2
REGLAGE OCH DERAS FUNKTIONER .....	2
ANSLUTNINGAR.....	3
Anslutning till linjeutgångarna (stiftkontakter) på förstärkaren.....	3
Anslut subwooferhögtalaren till ett nätuttag .....	3
JUSTERING AV SUBWOOFERHÖGTALAREN INNAN BRUK.....	3
Frekvensåtergivning .....	3
ADVANCED YAMAHA ACTIVE SERVO TECHNOLOGY II.....	4
FELSÖKNING.....	4
TEKNISKA DATA.....	5

## EGENSKAPER

- Denna subwooferhögtalare använder sig av aktiv servoteknologi (Advanced Yamaha Active Servo Technology II), som Yamaha utvecklat för återgivning av djup bas med hög kvalitet. (Se sidan 4 för mer information om Advanced Yamaha Active Servo Technology II.) Med detta superbassljud kan ett mer realistiskt, biosalongliknande ljud uppnås från en vanlig stereoanläggning.
- Denna subwooferhögtalare kan lätt kopplas till en existerande ljudanläggning genom att ansluta den antingen till högtalaranslutningarna eller till linjeutgångarna (stiftanslutningar) på förstärkaren.
- Detta subwoofersystem är försett med en linjär port som är unik för Yamaha och som ger en mjuk basåtergivning under uppspelning och mimimerar störningar som inte finns med i den ursprungliga signalen som matas in.

## MEDFÖLJANDE TILLBEHÖR

Kontrollera att följande delar finns med när systemet packas upp.

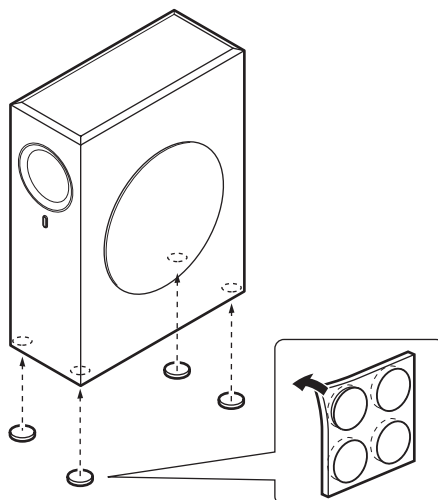


Glidskyddsdynor

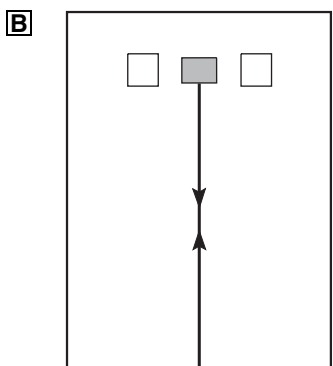
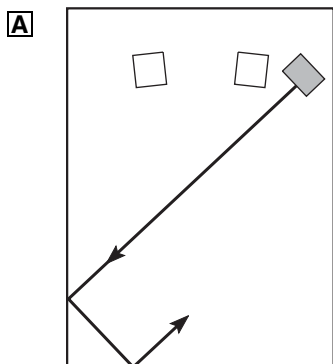
## FÄSTA GLIDSKYDDSDYNNORNA

Du får bättre ljudkvalitet om du stabiliserar subwoofern med hjälp av glidskyddsdynorna.

Klistra fast glidskyddsdynorna i de fyra hörnen på subwooferhögtalarens undersida. På så sätt rör den inte på sig vid vibrationer osv.



## PLACERING



(  : subwooferhögtalare,  : främre högtalare )

Subwoofern har stor effekt på ditt ljudsystem.

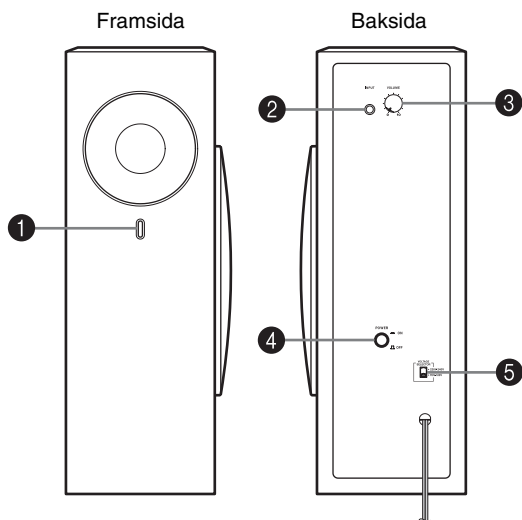
När subwooferhögtalaren används, rekommenderas det att den placeras utanför antingen höger eller vänster främre högtalare. (Se fig. **A**.) Placeringen som visas i fig. **B** är också möjlig, men om subwoofersystemet placeras direkt riktad mot väggen kan baseffekten möjligen försvinna, därför att högtalarens eget ljud och ljudet som reflekteras mot väggen kan upphäva varandra. För att undvika att detta händer, rikta subwooferhögtalaren i en vinkel så som visas i fig. **A**.

### Observera

**Det kan hända att du inte får tillräckligt djup bas med subwooferhögtalaren när du lyssnar i mitten av rummet. Detta beror på att "stående vågor" har utvecklats mellan två parallella väggar och därför eliminerar basljudet.**

**Rikta i så fall subwooferhögtalaren snett mot väggen. Det kan också vara nödvändigt att bryta upp parallelliteten mellan ytorna genom att placera bokhyllor e.dyl. utefter väggarna.**

## REGLAGE OCH DERAS FUNKTIONER



### 1 Driftindikator

Lyser grön när strömbrytaren (POWER) är i läge ON; släcks när strömbrytaren (POWER) sätts i läge OFF.

### 2 INPUT (FROM AMPLIFIER)-anslutning

Dessa ingångar används för anslutning av subwooferhögtalaren till förstärkarens anslutning för subwoofer.

(Se avsnittet "ANSLUTNINGAR" för mer information.)

### 3 VOLUME-kontroll

Denna kontroll reglerar ljudstyrkenivån. Vrid kontrollen medurs för att höja nivån och moturs för att sänka den.

### 4 POWER-omkopplare

Sätt denna strömbrytare i ON-läget för att sätta på strömmen till subwoofern. Tryck på denna strömbrytare igen för att ställa den i OFF-läget för att stänga av strömmen till subwoofern.

### 5 VOLTAGE SELECTOR-väljare

**(Endast på modeller för Asien och den allmänna modellen)**

Om väljarens inställning inte motsvarar den spänning som användas i området, ska du ställa in den på rätt spänningstal (110-120/220-240V).

Kontakta återförsäljaren om du är osäker på vilken spänning som används där du bor.

### VARNING!

**Subwooferhögtalaren måste kopplas bort från nätet innan VOLTAGE SELECTOR-väljarens inställning ändras.**

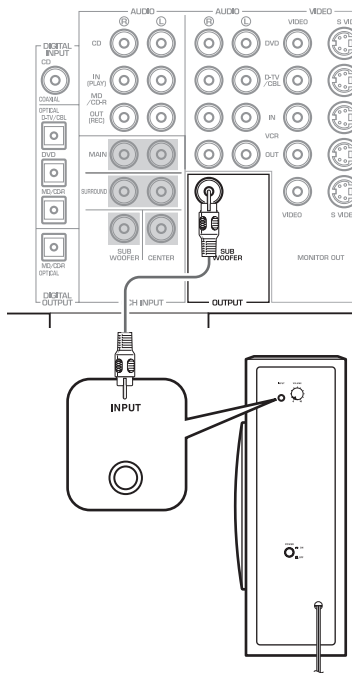
# ANSLUTNINGAR

**Försiktigt: Koppla loss subwooferhögtalaren och andra audio-/videoapparater från nätet innan anslutningarna görs.**

## Anslutning till linjeutgångarna (stiftkontakter) på förstärkaren

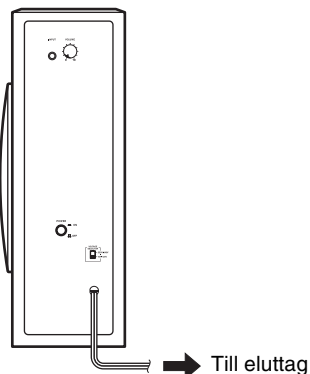
Vid anslutning till en förstärkare (eller AV-receiver), ska du ansluta anslutningen SUBWOOFER på förstärkarens (eller AV-receivers) baksida till INPUT-ingången på subwoofern.

Förstärkare (baksidan på olika förstärkare kan se ut på olika sätt.)



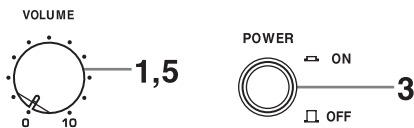
## Anslut subwooferhögtalaren till ett nätuttag

Anslut subwooferhögtalaren och andra audio-/ videoapparater till elnätet efter att samtliga andra anslutningar är klara.



# JUSTERING AV SUBWOOFERHÖGTALAR EN INNAN BRUK

Innan du börjar använda subwooferhögtalaren, ska du justera den så att du får optimal balans av ljudstyrka mellan subwooferhögtalaren och huvudhögtalarna. Följ anvisningarna nedan.



- 1 Ställ **VOLUME**-kontrollen på minimum (0).
- 2 Slå på strömmen till alla andra komponenter.
- 3 Se till att strömbrytaren (**POWER**) är i ON-läge.  
\* Driftindikatorn lyser då grönt.
- 4 Spela en källa med lågfrekvensinslag och ställ in förstärkarens ljudstyrkekontroll på en önskad lyssningsnivå.
- 5 Hög ljudstyrkenivån gradvis för att justera ljudstyrkebalansen mellan subwooferhögtalaren och huvudhögtalarna.  
För att lyssna på naturligt basljud ska du hålla volymen för subwooferhögtalaren på en nivå där den nätt och jämnt kan urskiljas från andra högtalare.
- 6 Justera volymen för hela ljudsystemet med hjälp av förstärkarens volymkontroll.

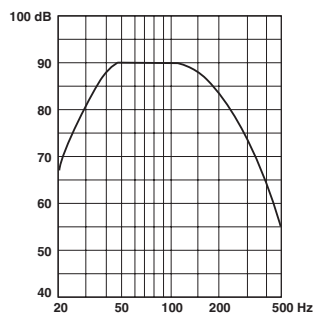
### Observera

Du rekommenderas att ställa in **VOLUME**-kontrollen i mittpositionen när du använder ett hemmabiosystem med flera kanaler.



## Frekvensåtergivning

### Denna subwooferhögtalares frekvenskaraktistik



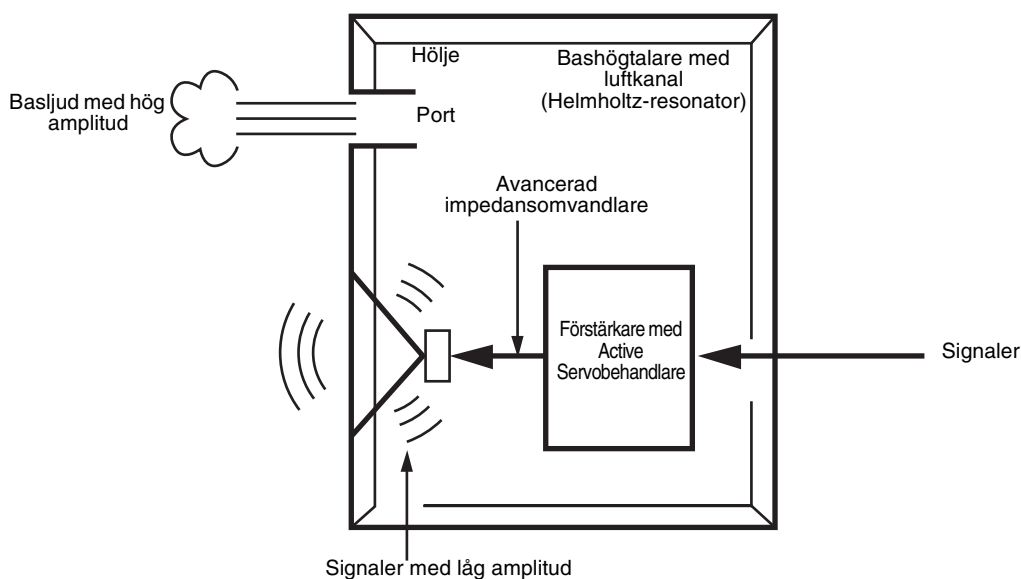
\* Det här diagrammet visar inte de faktiska frekvensgångsegenskaperna på ett exakt sätt.

# ADVANCED YAMAHA ACTIVE SERVO TECHNOLOGY II

År 1988 lanserade Yamaha högtalarsystem med YST (Yamaha Active Servo Technology) som ger en kraftfull bas av hög kvalitet. Denna teknik använder en direkt anslutning mellan förstärkaren och högtalaren, vilket ger en exakt signalöverföring och precis högtalarkontroll.

Eftersom denna teknik använder högtalarelement som styrs med förstärkarens negativa impedans-drift och resonansen som skapas mellan volymen i högtalarlådan och högtalarporten, skapas det mer resonansenergi (det s.k. "luft-baselement") än med den vanliga basreflexmetoden. Detta gör det möjligt att återge basen ordentligt med mycket mindre högtalarlådor än vad som var möjligt tidigare.

Yamahas nyutvecklade Advanced YST II är en ännu mer raffinerad teknik än Yamaha Active Servo Technology, och ger ännu bättre kontroll över de krafter som driver förstärkaren och högtalaren. Sett från förstärkaren ändras högtalarens impedans beroende på ljudets frekvens. Yamaha har utvecklat en ny kretsdesign som kombinerar negativ impedans-drift och konstant ström-drift, vilket ger stabilare prestanda och klarare basåtergivning utan att ljudet blir grumligt.



## FELSÖKNING

Se nedanstående tabell om denna enhet inte fungerar på rätt sätt. Om de problem du upplever inte finns uppräknade i nedanstående tabell eller om anvisningarna här nedan inte hjälper, ska du koppla loss nätkabelns stickpropp och kontakta din auktoriserade YAMAHA-återförsäljare eller din serviceverkstad.

Problem	Orsak	Åtgärd
Ingen ström fastän strömbrytaren (POWER) står på ON.	Stickproppen är inte ordentligt ansluten.	Anslut den ordentligt.
Inget ljud.	Ljudstyrkan är sänkt till miniminivå.	Höj ljudstyrkenivån.
	Högtalarledningarna är inte ordentligt anslutna.	Anslut dem ordentligt.
Ljudnivån är alltför låg.	En källa med få basfrekvenser spelas.	Spela en källa med mer bas.
	Återgivningen påverkas av stående vågor.	Flytta subwooferhögtalaren eller bryt upp de parallella ytorna genom att placera bokhyllor e.dyl. utefter väggarna.



# TEKNISKA DATA

<b>Typ</b> .....Advanced Yamaha Active Servo Technology II	<b>Strömförbrukning</b> ..... 40 W
<b>Drivsteg</b> ..... 16 cm baskon Magnetiskt avskärmd	<b>Yttermått (B x H x D)</b> ..... 166 mm x 450 mm x 366 mm
<b>Förstärkarens utsignal (100 Hz, 5 ohm, 10% THD)</b> ..... 50 W	<b>Vikt</b> ..... 10 kg
<b>Frekvensåtergivning</b> ..... 30 Hz - 160 Hz	Rätten till ändringar förbehålles.

## Strömförsörjning

Modeller för USA och Kanada .....	120 V växelström, 60 Hz
Modeller för Storbritannien och Europa .....	230 V växelström, 50 Hz
Modell för Australien .....	240 V växelström, 50 Hz
Modell för Kina .....	220 V växelström, 50 Hz
Modell för Korea .....	220 V växelström, 60 Hz
Modeller för Asien och allmänna modeller .....	110-120/220-240 V växelström, 50/60 Hz

## Skötsel av subwoofer-högtalaren

- När du torkar av den här enheten, ska du inte använda några kemiska lösningsmedel (t ex., alkohol eller thinner, mm.): detta kan skada ytan. Använd en ren, torr trasa. För svåra fläckar, ska du fukta en mjuk trasa i vatten, vrida ur den och därefter torka med trasan.
- (För blankpolerad modell) Om du stöter emot ytan på instrumentet med föremål av metall, porslin eller annat hårt material, kan ytbeläggningen spricka eller flagna. Iakttta akksamhet.

## Begränsad garanti inom EES-området och Schweiz

Tack för att du har valt en produkt från Yamaha. Var god kontakta återförsäljaren av produkten, om din Yamaha-produkt av någon oförutsedd anledning kräver garantiservice. Var god kontakta Yamahas representantkontor i ditt land, om något problem uppstår. Fullständig information återfinns på vår webbplats (<http://www.yamaha-hifi.com/> eller <http://www.yamaha-uk.com/> för boende i Storbritannien).

Produkten garanteras vara felfri när det gäller utförande och material i en period på två år från ursprungligt inköpsdatum. Yamaha åtar sig att, i enlighet med nedanstående villkor, reparera, eller efter eget gottfinnande byta ut, en felaktig produkt eller någon av dess delar, utan att debitera för delar eller arbete. Yamaha förbehåller sig rätten att byta ut en produkt mot en av liknande typ och/eller värde och skick, då en viss modell har upphört eller anses oekonomisk att reparera.

### Villkor

1. Ursprunglig faktura eller ursprungligt försäljningskvitto (där inköpsdatum, produktkod och återförsäljarens namn står angivet) MÅSTE följa med den felaktiga produkten, tillsammans med uppgifter om aktuellt fel. I avsaknad av ett tydligt bevis på inköp förbehåller sig Yamaha rätten att vägra erbjuda avgiftsfri service och produkten kan då komma att återsändas på kundens bekostnad.
2. Produkten MÅSTE vara köpt av en AUKTORISERAD Yamaha-återförsäljare i ett EES-land eller Schweiz.
3. Produkten får inte ha blivit utsatt för någon modifiering eller förändring, såvida inte skriftligt tillstånd för detta erhållits av Yamaha.
4. Denna garanti inkluderar ej följande:
  - a. Periodiskt underhåll och reparation eller utbyte av delar på grund av normal förslitning.
  - b. Skada orsakad av:
    - (1) Reparation utförd av kunden själv eller av en icke-auktoriserad tredje part.
    - (2) Bristfällig emballering eller ovarsam hantering under transporten av produkten från kunden. Observera att det är kundens ansvar att se till att produkten är ordentligt emballerad, när produkten sänds in för reparation.
    - (3) Felaktig användning, inklusive men ej begränsat till (a) underlåtenhet att använda produkten för dess normala syfte eller i enlighet med Yamahas anvisningar för korrekt användning, underhåll och förvaring och (b) installation eller användning av produkten på ett sätt som är oförenligt med de tekniska eller säkerhetsmässiga normer som gäller i det land där produkten används.
    - (4) Olycka, åska, vatten, brand, dålig ventilation, batteriläckage eller någonting annat utanför Yamahas kontroll.
    - (5) Fel på det system som denna produkt införlivas i och/eller inkompatibilitet med tredje parts produkter.
    - (6) Användning av en produkt importerad till ett EES-land och/eller Schweiz, ej av Yamaha, där den produkten inte är i överensstämmelse med de tekniska eller säkerhetsmässiga normer som gäller i användarlandet och/eller med standardspecifikationen för en produkt såld av Yamaha i EESområdet och/eller Schweiz.
    - (7) Produkter utan audiovisuell anknypning.  
(Produkter föremål för "Yamaha AV Guarantee Statement" definieras på vår webbplats: <http://www.yamaha-hifi.com/> eller <http://www.yamaha-uk.com/> för boende i Storbritannien.)
5. Om garantin skiljer sig åt mellan inköpslandet och användarlandet för produkten, så ska den garanti som gäller i användarlandet tillämpas.
6. Yamaha kan ej hållas ansvarigt för några förluster eller skador, vare sig direkta, indirekta eller av annat slag, utom reparationen eller utbytet av produkten.
7. Se till att säkerhetskopiera eventuella egna inställningar eller data, eftersom Yamaha inte kan hållas ansvarigt för några ändringar eller förluster av sådana inställningar eller data.
8. Denna garanti påverkar ej konsumentens lagstadgade rättigheter enligt gällande nationella lagar eller konsumentens rättigheter gentemot återförsäljaren, vilka uppkommit genom gällande försäljnings/köpekontrakt.

## ATTENZIONE: leggere il presente documento prima di utilizzare il dispositivo

Leggere le seguenti precauzioni operative prima dell'uso. YAMAHA non sarà ritenuta responsabile per alcun danno e/o lesione causati dal mancato rispetto delle precauzioni riportate di seguito.

- Per garantire le migliori prestazioni, leggere il presente manuale con attenzione, Per future consultazioni, conservare in un posto sicuro.
- Installare il dispositivo in un luogo fresco, asciutto e pulito, distante da finestre, fonti di calore o di vibrazioni eccessive, polveri, umidità e freddo. Evitare fonti di ronzio (trasformatori, motori). Per evitare incendi o scosse elettriche, non esporre l'unità a pioggia o acqua.
- Non aprire mai l'alloggiamento. Qualora all'interno del gruppo cada qualche oggetto, contattare il proprio rivenditore.
- La tensione da utilizzare deve essere identica a quella specificata nel pannello posteriore. L'uso della presente unità con una tensione superiore a quella specificata è pericolosa e potrebbe causare incendio e/o scosse elettriche.
- Per ridurre il rischio di incendio o scosse elettriche, non esporre il dispositivo a pioggia o umidità.
- Non esercitare forza su interruttori, comandi o fili di connessione. In caso di spostamento del dispositivo, scollegare la presa di alimentazione e i fili connessi ad altra apparecchiatura. Non tirare mai i fili.
- Qualora non si intenda utilizzare il dispositivo per un periodo prolungato (in caso di vacanza o altro), scollegare la spina di alimentazione c.a. dalla presa a parete.
- Per evitare danni derivanti da fulmini, scollegare la presa di alimentazione c.a. in caso di tempesta elettrica.
- Poiché il presente dispositivo dispone di un amplificatore di alimentazione incorporato, il calore si irraggerà dal pannello posteriore. Posizionare il dispositivo lontano dalle pareti, lasciando almeno 20 cm di spazio in alto, dietro e su entrambi i lati dell'unità al fine di evitare incendi o danni. Inoltre, non posizionarlo con il pannello posteriore rivolto verso il pavimento o altre superfici superiori.
- Non coprire tale pannello dell'unità con un foglio di giornale, una tovaglia, una tenda o altro al fine di ostruire l'irradiazione di calore. Qualora la temperatura interna al dispositivo dovesse aumentare, potrebbero verificarsi incendi, danni all'unità e/o lesioni personali.
- Non posizionare sull'unità i seguenti oggetti:  
Vetro, ceramiche, piccoli oggetti in metallo o altro, poiché la caduta di vetro o di altro determina vibrazioni e rotture che potrebbero causare lesioni corporali.  
Una candela accesa o altro  
La caduta della candela causata dalle vibrazioni potrebbe determinare incendi e lesioni corporali.  
Un contenitore contenente acqua  
La caduta del contenitore causata dalle vibrazioni determinerà il versamento dell'acqua con eventuali danni all'altoparlante e/o eventualmente scosse elettriche.

**AVVERTENZA**  
**PER RIDURRE IL RISCHIO DI INCENDI O SCOSSE ELETTRICHE, NON ESPORRE IL DISPOSITIVO A PIOGGIA O UMIDITÀ.**

- Non posizionare l'unità dove vi è materiale estraneo come acqua gocciolante. Potrebbero verificarsi incendi, danni all'unità e/o lesioni personali.
- Non porre mai una mano o un oggetto estraneo nella porta YST posizionata sul lato destro dell'unità. Durante lo spostamento, non tenere la porta poiché ciò potrebbe causare lesioni personali e/o danni a questa unità.
- Non posizionare mai un oggetto fragile accanto alla porta YST dell'unità. In caso di caduta dell'oggetto a causa di pressione dell'aria, potrebbero verificarsi danni all'unità e/o lesioni personali.
- Non aprire mai l'alloggiamento. Ciò potrebbe causare scosse elettriche poiché l'unità utilizza una tensione elevata. Potrebbero inoltre verificarsi lesioni personali e/o danni all'unità.
- In caso si utilizza un umidificatore, assicurarsi che non si formi condensa all'interno dell'unità lasciando sufficiente spazio intorno all'unità o evitando eccessiva umidificazione. La condensa potrebbe causare incendi, danni all'unità e/o scosse elettriche.
- Le frequenze super-basse riprodotte dall'unità potrebbero far generare un suono ululante al piatto giradischi. In tal caso, spostare l'unità distante dal giradischi.
- Il dispositivo potrebbe danneggiarsi qualora vengano emessi continuamente determinati suoni a volume elevato. Ad esempio, se onde sinusoidali a 20 Hz - 50 Hz provengono da un disco di prova, suoni bassi da strumenti elettronici o simili vengono emessi continuamente o quando la puntina del giradischi tocca la superficie di un disco, ridurre il livello del volume per evitare che l'unità si danneggi.
- In caso si oda distorsione (come suoni innaturali, intermittenti "tipo rap" o "martellanti") proveniente dal dispositivo, ridurre il livello del volume. La riproduzione a livelli elevati della bassa frequenza di una colonna sonora di un film, suoni basso-pesanti o brani musicali popolari ugualmente alti possono danneggiare il sistema di altoparlanti.
- Le vibrazioni generate dalle frequenze super-basse possono distorcere le immagini in TV. In tal caso, spostare l'unità distante dal televisore.
- Non tentare di pulire l'unità utilizzando solventi chimici poiché potrebbero danneggiare le rifiniture. Utilizzare un panno pulito e asciutto.
- Assicurarsi di leggere la sezione "RISOLUZIONE DEI PROBLEMI" in merito ai comuni errori di funzionamento prima di decidere che l'unità sia difettosa.
- Installare il dispositivo accanto alla presa a parete facilmente raggiungibile dalla spina di alimentazione CA.
- **Il posizionamento o l'installazione in sicurezza è una responsabilità del proprietario. YAMAHA non sarà ritenuta responsabile per alcun incidente causato da posizionamento o installazione incorretti degli altoparlanti.**

Assicurarsi di lasciare sufficiente spazio di almeno 20 cm sopra, dietro e su entrambi i lati dell'unità.

- **SELETTORE DI TENSIONE**

(Solo modelli destinati all'Asia e generici)

L'interruttore del selettore di tensione posto sul pannello posteriore del dispositivo deve essere impostato in base alla tensione locale **PRIMA** di collegare l'unità alla corrente elettrica CA. Le tensioni sono 110-120/220-240 V CA, 50/60 Hz.

La presente unità non è scollegata dall'alimentazione CA se connessa alla presa a parete, anche nel caso in cui essa sia spenta. In tale situazione, è progettata per consumare una quantità veramente esigua di corrente.

L'unità presenta un design con schermatura magnetica, anche se è probabile che, una volta posta troppo vicino a un televisore, possa compromettere i colori delle immagini. In tal caso, spostare l'unità distante dal televisore.

### Informazioni per gli utenti sulla raccolta e lo smaltimento di vecchia attrezzatura



Questo simbolo sui prodotti, sull'imballaggio, e/o sui documenti che li accompagnano significa che i prodotti elettriche e elettroniche non dovrebbero essere mischiati con i rifiuti domestici generici.

Per il trattamento, recupero e riciclaggio appropriati di vecchi prodotti, li porti, prego, ai punti di raccolta appropriati, in accordo con la Sua legislazione nazionale e le direttive 2002/96/CE.

Smaltendo correttamente questi prodotti, Lei aiuterà a salvare risorse preziose e a prevenire alcuni potenziali effetti negativi sulla salute umana e l'ambiente, che altrimenti potrebbero sorgere dal trattamento improprio dei rifiuti.

Per ulteriori informazioni sulla raccolta e il riciclaggio di vecchi prodotti, prego contatti la Sua amministrazione comunale locale, il Suo servizio di smaltimento dei rifiuti o il punto vendita dove Lei ha acquistato gli articoli.

[Informazioni sullo smaltimento negli altri Paesi al di fuori dell'Unione europea]

Questo simbolo è valido solamente nell'Unione europea. Se Lei desidera disfarsi di questi articoli, prego contatti le Sue autorità locali o il rivenditore e richieda la corretta modalità di smaltimento.



## INDICE

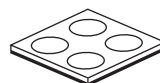
CARATTERISTICHE .....	1
ACCESSORI IN DOTAZIONE.....	1
ATTACCO DI CUSCINETTI ANTISDRUCCIOLO .....	1
POSIZIONAMENTO.....	2
COMANDI E RELATIVE FUNZIONI.....	2
CONNESSIONI.....	3
Collegamento ai terminali di uscita di linea (pin-jack) dell'amplificatore .....	3
Collegamento del subwoofer all'uscita CA.....	3
REGOLAZIONE DEL SUBWOOFER PRIMA DELL'USO .....	3
Caratteristica di frequenza.....	3
ADVANCED YAMAHA ACTIVE SERVO TECHNOLOGY II.....	4
RISOLUZIONE DEI PROBLEMI.....	4
SPECIFICHE TECNICHE.....	5

## CARATTERISTICHE

- Il presente subwoofer impiega la tecnologia Advanced Yamaha Active Servo Technology II sviluppata da Yamaha per la produzione di audio super-basso di qualità superiore. (Per dettagli su Advanced Yamaha Active Servo Technology II, fare riferimento alla pagina 4.) Il suono super-bass aggiunge un effetto più realistico come se si avesse il teatro in casa al proprio sistema audio.
- Il subwoofer può essere aggiunto facilmente a un sistema audio esistente connettendo i terminali degli altoparlante o i terminali dell'uscita di linea (pin-jack) dell'amplificatore.
- Questo sistema di subwoofer è dotato di una porta lineare unica per Yamaha che dà una risposta di bassi omogenea durante la riproduzione, riducendo al minimo il rumore estraneo non incluso nel segnale in ingresso originale.

## ACCESSORI IN DOTAZIONE

Dopo aver disimballato il dispositivo, controllare che siano contenute i seguenti componenti.

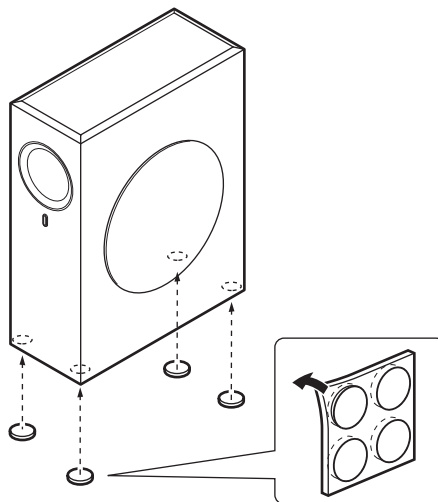


Cuscinetti  
antisdrucchio

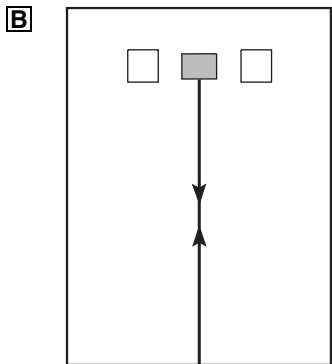
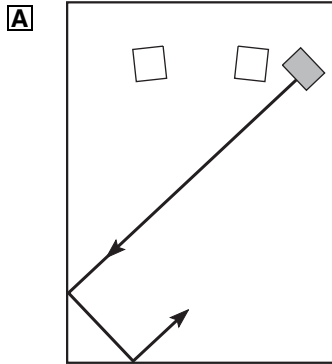
## ATTACCO DI CUSCINETTI ANTISDRUCCIOLO



Per godere di una qualità di suono elevata, stabilizzare il subwoofer mediante cuscinetti antisdrucchio.

Attaccare i cuscinetti antisdrucchio in dotazione nei quattro angoli della parte inferiore del subwoofer per evitare che si spostino a causa delle vibrazioni o per altre ragioni.



## POSIZIONAMENTO



(  : subwoofer,  : altoparlante anteriore)

Il subwoofer produrrà un buon effetto sul sistema audio.

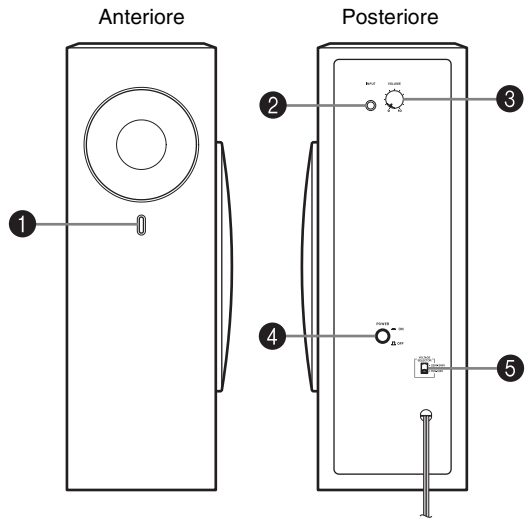
Se si utilizza il subwoofer, si consiglia di posizionarlo fuori dall'altoparlante anteriore di destra o di sinistra. (Vedere fig. **A**.) Il posizionamento illustrato in fig. **B** è anche possibile; tuttavia, se il sistema di subwoofer viene posizionato direttamente rivolto verso la parete l'effetto dei bassi può essere compromesso a causa della cancellazione di suoni diretti e riflessi. Per evitare che accada questo, posizionare il sistema di subwoofer in un angolo come riportato in fig. **A**.

### Nota

È possibile che non si riesca a ottenere suoni super-bass dal subwoofer quando l'ascolto avviene al centro di un ambiente. Questo è dovuto al fatto che si sono sviluppate "onde stazionarie" tra due pareti parallele che annullano i suoni di basso.

In tal caso, posizionare il subwoofer in un angolo obliquo alla parete. Potrebbe essere necessario inoltre interrompere le superficie parallele posizionando delle librerie o altri oggetti lungo le pareti.

## COMANDI E RELATIVE FUNZIONI



### 1 Spia di alimentazione

Si illumina in verde quando l'interruttore POWER è in posizione ON; si spegne quando l'interruttore POWER è in posizione OFF.

### 2 Terminale INPUT (FROM AMPLIFIER)

Utilizzato per connettere il subwoofer al terminale del subwoofer dell'amplificatore. (Per dettagli, fare riferimento "CONNESSIONI".)

### 3 Comando VOLUME

Regola il livello del volume. Ruotare il comando in senso orario per aumentare il volume e in senso antiorario per abbassarlo.

### 4 Interruttore POWER

Portare questo interruttore in posizione ON per accendere il subwoofer. Portare questo interruttore in posizione OFF per spegnere il subwoofer.

### 5 Interruttore VOLTAGE SELECTOR (Solo modelli destinati all'Asia e generici)

Se l'impostazione preselezionata dell'interruttore non è corretta, impostare l'interruttore alla tensione appropriata (110-120/220-240V) della propria area geografica.

Qualora non si conosca l'impostazione corretta, contattare il proprio rivenditore.

### AVVERTENZA

Assicurarsi di scollegare il subwoofer prima di impostare correttamente l'interruttore VOLTAGE SELECTOR.

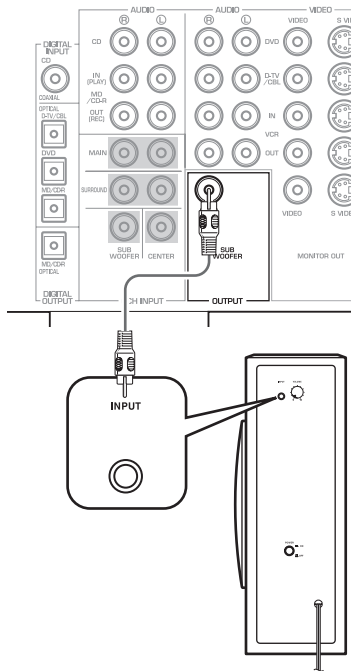
# CONNESSIONI

**Attenzione:** togliere la spina di alimentazione del subwoofer e altri componenti audio/video prima di effettuare i collegamenti.

## Collegamento ai terminali di uscita di linea (pin-jack) dell'amplificatore

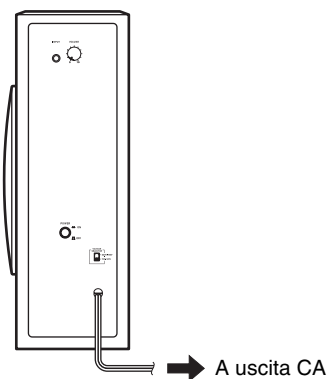
Per collegare a un amplificatore (o ricevitore AV), collegare il terminale SUBWOOFER sulla parte posteriore dell'amplificatore (o del ricevitore AV) al terminale INPUT del subwoofer.

Amplificatore (l'aspetto del pannello posteriore dei diversi amplificatori può essere differente)



## Collegamento del subwoofer all'uscita CA

Una volta completate tutte le connessioni, collegare il subwoofer e gli altri componenti audio/video all'alimentazione, nelle uscite CA.



# REGOLAZIONE DEL SUBWOOFER PRIMA DELL'USO

Prima di utilizzare il subwoofer, regolarlo al fine di ottenere il miglior bilanciamento del volume tra il subwoofer e gli altoparlanti anteriori in base alla procedura descritta di seguito.



- 1 Impostare il comando **VOLUME** su minimo (0).
- 2 Accendere tutti gli altri componenti.
- 3 Verificare che l'interruttore **POWER** sia impostato sulla posizione ON.  
\* La spia di alimentazione si accende in verde.
- 4 Eseguire un brano contenente componenti a bassa frequenza e regolare il comando del volume dell'amplificatore al livello di ascolto desiderato.
- 5 Aumentare il volume gradualmente per regolare il bilanciamento del volume tra il subwoofer e gli altoparlanti anteriori.  
Per un suono naturale dei bassi, mantenere il volume del subwoofer a un livello che ne consenta la chiara distinzione dagli altri altoparlanti.
- 6 Regolare il volume dell'intero sistema audio utilizzando il controllo volume dell'amplificatore.

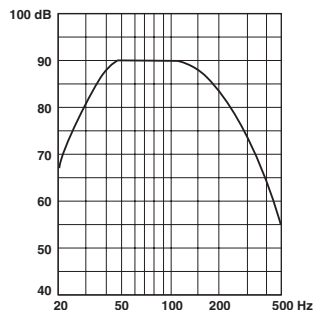
### Nota

Si consiglia di impostare il controllo **VOLUME** nella posizione centrale per l'uso con un sistema home theater multicanale.



## Caratteristica di frequenza

### Caratteristica di frequenza del subwoofer



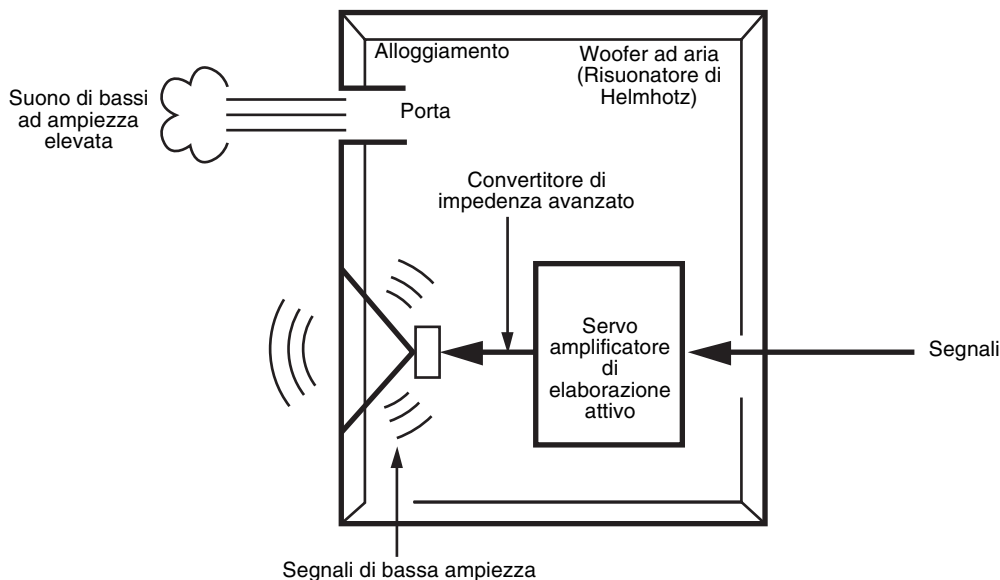
\* Il diagramma non riproduce le caratteristiche effettive di risposta della frequenza.

# ADVANCED YAMAHA ACTIVE SERVO TECHNOLOGY II

Nel 1988, Yamaha ha commercializzato i sistemi di altoparlanti dotati della tecnologia YST (Yamaha Active Servo Technology) per consentire una riproduzione dei bassi potente e di qualità elevata. Questa tecnica utilizza una connessione diretta tra l'amplificatore e l'altoparlante consentendo una trasmissione precisa dei segnali e un controllo accurato degli altoparlanti.

Poiché la tecnologia utilizza le unità altoparlanti controllate dal dispositivo di impedenza negativa dell'amplificatore e la risonanza generata dal volume e dalla porta dell'alloggiamento degli altoparlanti, si crea maggiore energia risonante (il concetto di "woofer ad aria") rispetto al metodo standard dei bassi riflessi. Questo consente la riproduzione di bassi da sistemi molto più piccoli rispetto a quanto fosse possibile in precedenza.

La tecnologia Advanced YST II di recente sviluppo di Yamaha' aggiunge ulteriori miglioramenti alla tecnologia Yamaha Active Servo Technology consentendo un miglior controllo delle forze che gestiscono l'amplificatore e il subwoofer. Dal punto di vista dell'amplificatore', l'impedenza degli altoparlanti cambia a seconda della frequenza audio. Yamaha ha sviluppato un nuovo design di circuito combinando l'impedenza negativa e i dispositivi a corrente costante che offrono prestazioni più stabili e chiara riproduzione di bassi senza alcuna oscurità.



## RISOLUZIONE DEI PROBLEMI

Fare riferimento al grafico seguente se l'unità non funziona correttamente. Se il problema non è elencato di seguito oppure se le istruzioni fornite non aiutano, scollegare il cavo di alimentazione e contattare un rivenditore YAHAMA autorizzato o il servizio di assistenza tecnica.

Problema	Causa	Cosa fare
<b>L'alimentazione non viene fornita anche se l'interruttore POWER è in posizione ON.</b>	La spina di alimentazione non è connessa in modo fisso.	Fissarla.
<b>Nessun suono.</b>	Il volume è impostato sul minimo.	Aumentare il volume.
	I cavi degli altoparlanti non sono connessi in modo fisso.	Fissarli.
<b>Il livello audio è troppo basso.</b>	Viene riprodotta una fonte audio con poco contenuto a bassa frequenza.	Riprodurre una fonte audio con basse frequenze.
	Subisce gli effetti delle onde stazionarie.	Riposizionare il subwoofer o interrompere le superfici parallele posizionando delle librerie o altro lungo le pareti.



# SPECIFICHE TECNICHE

<b>Tipo</b> .....Advanced Yamaha Active Servo Technology II	<b>Consumo energetico</b> ..... 40 W
<b>Driver</b> ..... 16 cm, woofer conico Tipo di schermatura magnetica	<b>Dimensioni (L x A x P)</b> ..... 166 mm x 450 mm x 366 mm
<b>Uscita amplificatore (100 Hz, 5 ohm, 10% THD)</b> ..... 50 W	<b>Peso</b> ..... 10 kg
<b>Risposta di frequenza</b> ..... 30 Hz - 160 Hz	Tutte le specifiche sono soggette a variazioni senza avviso.

## Alimentazione

Modelli per USA e Canada .....	CA 120V, 60 Hz
Modelli per G.B. ed Europa .....	CA 230V, 50 Hz
Modello per Australia.....	CA 240V, 50 Hz
Modello per la Cina.....	CA 220V, 50 Hz
Modello per la Corea.....	CA 220V, 60 Hz
Modelli per Asia e generici .....	CA 110-120/220-240 V, 50/60 Hz

## Cura del subwoofer

- Per spolverare l'unità non utilizzare solventi chimici (es. alcool o diluenti, ecc.), perchè potrebbero danneggiare la finitura. Utilizzare un panno pulito e asciutto. Per lo sporco più ostinato, immergere un panno morbido in acqua, strizzarlo e quindi passare il panno sopra la superficie.
- (Per il modello con finitura lucida) Appoggiando violentemente oggetti in metallo, porcellana o altri materiali duri sullo strumento si potrebbe danneggiare la finitura. Prestare attenzione.

## Garanzia limitata per l'Area Economica Europea (AEE) e la Svizzera

Vi ringraziamo per aver scelto un prodotto Yamaha. Nel caso raro in cui il vostro prodotto abbia bisogno di riparazioni in garanzia, entrare in contatto con il negozio in cui era stato acquistato. Se si avessero difficoltà, entrare in contatto con il rappresentante di Yamaha per il proprio paese. Sono disponibili maggiori dettagli nel nostro sito (<http://www.yamaha-hifi.com/> o <http://www.yamaha-uk.com/>, per i residenti nel Regno Unito).

Il prodotto viene garantito esente da difetti di fabbricazione e di materiali per un periodo di due anni a partire dalla data di acquisto originale. Yamaha si impegna, entro i limiti delle condizioni illustrate di seguito, a riparare (o sostituire, a discrezione esclusiva di Yamaha) il prodotto difettoso o qualsiasi sua parte senza alcun addebito per le parti o per il lavoro. Yamaha si riserva il diritto di sostituire un prodotto con uno di tipo, valore e/o condizione simile nel caso un modello particolare non sia più in produzione o sia considerato troppo costoso da riparare.

### Condizioni della garanzia

1. La fattura o ricevuta originale di pagamento (recante la data di acquisto, il numero di codice del prodotto e il nome del negozio di acquisto) DEVE accompagnare sempre il prodotto difettoso unita ad una dichiarazione descrittiva del problema accusato. In mancanza di prova esaustiva dell'avvenuto acquisto, Yamaha si riserva in diritto di rifiutare di fornire riparazioni gratuite ed il prodotto può venire restituito a spese dell'utente.
2. Il prodotto DEVE essere stato acquistato da un rivenditore Yamaha AUTORIZZATO all'interno dell'Area Economica Europea (EEA) o in Svizzera.
3. Il prodotto non deve essere modificato o alterato se non dietro autorizzazione scritta di Yamaha.
4. Quanto segue viene escluso dalla presente garanzia:
  - a. Manutenzione periodica e riparazioni o sostituzione di pezzi dovute a normale invecchiamento.
  - b. Danni risultanti da:
    - (1) Riparazioni eseguite dal cliente stesso o da terze parti non autorizzate.
    - (2) Imballaggio o trattamento inadeguato nel corso della spedizione del prodotto da parte del cliente. Tener presente che, al momento dell'invio del prodotto per riparazioni, è responsabilità del cliente l'assicurarsi che questo sia imballato adeguatamente.
    - (3) L'uso scorretto, compresi ma senza limitazioni (a) il mancato uso del prodotto per il suo scopo previsto o in accordo con le istruzioni di Yamaha per l'uso corretto, la manutenzione e la conservazione e (b) l'installazione o uso del prodotto in modo non conforme agli standard tecnici e di sicurezza in vigore nel paese di uso.
    - (4) Gli incidenti, i fulmini, l'acqua, gli incendi, la ventilazione scorretta, la perdita di acido dalle batterie o qualsiasi altra causa non sotto il controllo di Yamaha.
    - (5) Difetti di un sistema nel quale il prodotto è stato incorporato e/o incompatibilità con prodotti di terze parti.
    - (6) L'uso di un prodotto importato nella EEA e/o in Svizzera, non prodotto da Yamaha, nel caso il prodotto non sia conforme agli standard tecnici o di sicurezza del paese di uso e/o alle caratteristiche tecniche standard dei prodotti Yamaha da vendersi nell'AEE e/o in Svizzera.
    - (7) Prodotti non legati al campo AV (Audio Video).  
(I prodotti soggetti allo "Yamaha AV Guarantee Statement" sono definiti nel sito <http://www.yamaha-hifi.com/> o <http://www.yamaha-uk.com/> nel caso dei residenti nel Regno Unito.)
5. Dove i termini della garanzia differiscono fra il paese di acquisto e il paese di uso del prodotto, vale la garanzia del paese di uso.
6. Yamaha non può venire considerata responsabile di perdite o danni, diretti, indiretti, consequenziali o di altro tipo, se non in termini di riparazione o sostituzione del prodotto.
7. Fare una copia di riserva di impostazioni o dati personalizzati, dato che Yamaha non può venire considerata responsabile di qualsiasi alterazione o perdita di tali impostazioni o dati.
8. Questa garanzia non influenza i diritti statutari dell'utente stabiliti dalle leggi applicabili in vigore o i diritti sul negoziante derivanti dal contratto di vendita/acquisto.

## PRECAUCIÓN: lea esta información antes de utilizar la unidad

Lea las siguientes precauciones de funcionamiento antes de iniciar el uso del aparato. YAMAHA no se responsabilizará de cualquier daño o lesión causada por no seguir las precauciones que aparecen a continuación.

- Lea cuidadosamente este manual para obtener el mejor rendimiento posible. Manténgalo en un lugar seguro para utilizarlo como referencia en el futuro.
  - Instale la unidad en un lugar fresco, seco y limpio, alejado de ventanas, aparatos que produzcan calor, lugares con muchas vibraciones, polvo, humedad o frío. Evite aparatos que causen ruidos de zumbido (transformadores y motores). Para evitar incendios o descargas eléctricas, no exponga el altavoz a la lluvia o al agua.
  - No abra nunca la carcasa. Si algo cae en el equipo, póngase en contacto con su distribuidor.
  - El voltaje que se debe utilizar ha de ser el mismo que el especificado en el panel trasero. Si utiliza esta unidad con un voltaje superior al especificado podría provocar un incendio o una descarga eléctrica.
  - Para reducir el riesgo de incendio y descarga eléctrica, no exponga esta unidad a la lluvia o a la humedad.
  - No fuerce los interruptores, controles o cables de conexión. Cuando mueva esta unidad, desconecte primero el cable de alimentación y los cables conectados a otros equipos. No tire nunca de los cables.
  - Si no va a utilizar el aparato durante un tiempo prolongado (por ejemplo, durante las vacaciones, etc.) desconecte el enchufe de alimentación de CA de la toma de corriente.
  - Para evitar daños debidos a relámpagos, desenchufe el cable de alimentación de CA durante tormentas eléctricas.
  - Este sistema irradia calor por el panel trasero, ya que tiene un amplificador de potencia incorporado. Coloque la unidad separada de las paredes, dejando al menos 20 cm de espacio encima, detrás y a ambos lados de la unidad para evitar un incendio o cualquier otro tipo de daño. Tampoco se debe colocar con el panel trasero contra el suelo o apoyado sobre otras superficies.
  - No cubra el panel trasero de la unidad con papel de periódico, manteles, cortinas, etc. para no obstruir la radiación de calor. Si aumenta la temperatura en el interior de la unidad, podría originarse un incendio, averiar la unidad o sufrir lesiones personales.
  - No coloque los siguientes objetos sobre esta unidad: Vidrio, porcelana, objetos metálicos pequeños, etc.
    - Si el vidrio, etc., se cae por la vibración y se rompe, puede provocar heridas.
- Una vela encendida, etc.
  - Si la vela se cae por la vibración puede provocar un incendio y heridas.
- Un recipiente con agua
  - Si el recipiente se cae por la vibración y el agua se derrama puede provocar daños en el altavoz o recibir una descarga eléctrica.

- No coloque la unidad en un lugar donde puedan caer objetos extraños como gotas de agua. Podría provocar un incendio, dañar el altavoz o sufrir lesiones personales.
- Nunca ponga las manos o un objeto extraño en el puerto YST, situado a la derecha de esta unidad. Cuando mueva la unidad, no toque el puerto, ya que podría causar lesiones personales o la unidad podría averiarse.
- Nunca coloque un objeto frágil cerca del puerto YST de esta unidad. Si el objeto se cae o se vuelca debido a la presión del aire, podría provocar averías en la unidad o lesiones personales.
- No abra nunca la carcasa. Podría provocar una descarga eléctrica, ya que esta unidad es de alto voltaje. También podría provocar lesiones personales o averiar la unidad.
- Si utiliza un humidificador, es muy importante evitar la condensación dentro esta unidad. Para ello, deje siempre suficiente espacio alrededor de esta unidad y evite el exceso de humidificación. La condensación podría causar un incendio, averiar la unidad o producir una descarga eléctrica.
- Las frecuencias de ultragraves generadas por esta unidad pueden hacer que el tocadiscos emita un sonido de aullido. En este caso, aleje la unidad del tocadiscos.
- La unidad podría averiarse si se escucharan continuamente ciertos sonidos en el nivel máximo de volumen. Por ejemplo, si se escuchan ondas sinusoidales de 20 Hz - 50 Hz con el disco de prueba, sonidos graves de instrumentos electrónicos, etc.; o cuando la aguja del tocadiscos toque la superficie de un disco, reduzca el nivel de volumen para evitar que se dañe el equipo.
- Si se escuchan sonidos distorsionados (por ejemplo sonidos raros, “golpeteos” o “martilleos” intermitentes) provenientes de la unidad, baje el nivel del volumen. Si se reproducen pistas de sonido de películas de baja frecuencia, sonidos con bajos fuertes o música de similares características a volumen muy alto, se podría averiar el sistema de altavoces.
- La vibración generada por frecuencias ultragraves podría distorsionar las imágenes de un televisor. En este caso, aleje el sistema del televisor.
- No limpie la unidad con disolventes químicos: podría dañar el acabado. Utilice un paño limpio y seco para la limpieza.
- No deje de leer la sección “LOCALIZACIÓN DE AVERÍAS” donde se dan consejos sobre los errores de utilización antes de llegar a la conclusión de que la unidad está averiada.
- Instale esta unidad cerca de la toma de CA y donde se pueda alcanzar fácilmente la clavija de alimentación.
- **La instalación en un lugar seguro es responsabilidad del propietario. YAMAHA no se hace responsable de ningún accidente provocado por una instalación incorrecta del altavoz.**

Es importante dejar al menos 20 cm de espacio encima, detrás y a ambos lados de la unidad.

**ADVERTENCIA  
PARA REDUCIR EL RIESGO DE INCENDIO Y  
DESCARGA ELÉCTRICA, NO EXPONGA ESTA  
UNIDAD A LA LLUVIA O A LA HUMEDAD.**

- **SELECTOR DE VOLTAJE**

(Solamente en modelos para Asia y Generales)

El interruptor de selección de tensión situado en el panel trasero de esta unidad debe ajustarse a la tensión principal de su emplazamiento ANTES de enchufar esta unidad a la corriente eléctrica. La selección de voltajes es para CA de 110-120/220-240 V a 50/60 Hz.

Esta unidad no se desconecta de la fuente de alimentación de CA si está conectada a una toma de corriente, aunque la propia unidad esté apagada. En este estado, la unidad ha sido diseñada para que consuma una cantidad de corriente muy pequeña.

Esta unidad dispone de un diseño a prueba de interferencias magnéticas, aunque existe la posibilidad de que, en el caso de colocarlo demasiado cerca de un televisor, el color de la imagen pueda verse afectado. En este caso, aleje el sistema del televisor.

### Información para Usuarios sobre Recolección y Disposición de Equipamiento Viejo



Este símbolo en los productos, embalaje, y/o documentación que se acompañe significa que los productos electrónicos y eléctricos usados no deben ser mezclados con desechos hogareños corrientes.

Para el tratamiento, recuperación y reciclado apropiado de los productos viejos, por favor llévelos a puntos de recolección aplicables, de acuerdo a su legislación nacional y las directivas 2002/96/EC.

Al disponer de estos productos correctamente, ayudará a ahorrar recursos valiosos y a prevenir cualquier potencial efecto negativo sobre la salud humana y el medio ambiente, el cual podría surgir de un inapropiado manejo de los desechos.

Para mayor información sobre recolección y reciclado de productos viejos, por favor contacte a su municipio local, su servicio de gestión de residuos o el punto de venta en el cual usted adquirió los artículos.

[Información sobre la Disposición en otros países fuera de la Unión Europea]

Este símbolo sólo es válidos en la Unión Europea. Si desea deshacerse de estos artículos, por favor contacte a sus autoridades locales y pregunte por el método correcto de disposición.



## CONTENIDO

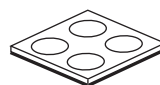
CARACTERÍSTICAS .....	1
ACCESORIOS SUMINISTRADOS.....	1
COLOCACIÓN DE LAS ALMOHADILLAS ANTIDESLIZANTES.....	1
UBICACIÓN.....	2
CONTROLES Y SUS FUNCIONES.....	2
CONEXIONES .....	3
Conexión a los terminales (toma para clavija) de salida de línea del amplificador .....	3
Enchufe el altavoz de ultragraves a la toma de corriente de CA .....	3
AJUSTE DEL ALTAVOZ DE ULTRAGRAVES ANTES DE UTILIZARLO.....	3
Característica de frecuencia.....	3
ADVANCED YAMAHA ACTIVE SERVO TECHNOLOGY II.....	4
LOCALIZACIÓN DE AVERÍAS .....	4
ESPECIFICACIONES .....	5

## CARACTERÍSTICAS

- Este sistema de altavoces de ultragraves emplea Tecnología avanzada de servo activo de Yamaha (Advanced Yamaha Active Servo Technology) II que ha sido desarrollada para reproducir sonidos supergraves de excelente calidad. (Consulte la página 4 para obtener más información sobre Advanced Yamaha Active Servo Technology II.) Este sonido de supergraves añade un efecto más realista de cine en casa a su sistema de audio.
- Este altavoz de ultragraves se puede agregar fácilmente al sistema de audio existente conectándolo a los terminales de altavoces o a los terminales de salida de línea (clavija) del amplificador.
- Este sistema de ultragraves está equipado con un puerto lineal exclusivo de Yamaha que proporciona una respuesta suave de graves durante la reproducción, reduciendo al mínimo el ruido externo no incluido en la señal de entrada original.

## ACCESORIOS SUMINISTRADOS

Compruebe que la caja contiene las siguientes piezas.

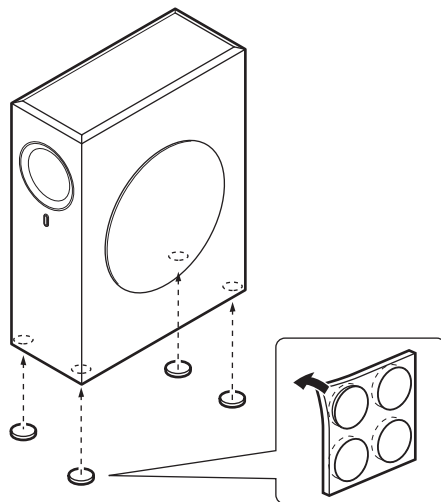


Almohadillas antideslizantes

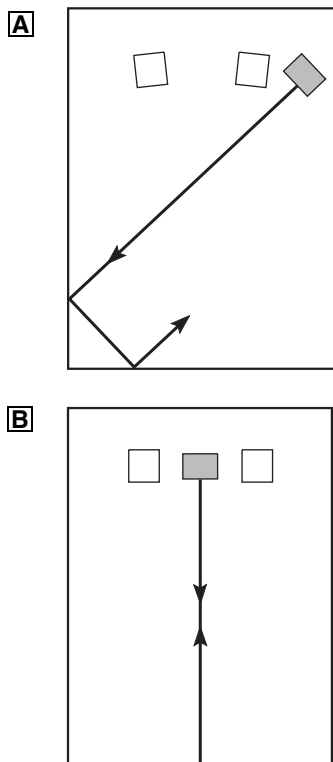
## COLOCACIÓN DE LAS ALMOHADILLAS ANTIDESLIZANTES

Para disfrutar de la mejor calidad de sonido, establezca los altavoces de ultragraves con ayuda de las almohadillas antideslizantes.

Instale las almohadillas antideslizantes en las cuatro esquinas en la parte inferior del altavoz de ultragraves para evitar que se mueva por la vibración, etc.



## UBICACIÓN



(■ : altavoz de ultr Graves, □ : altavoz delantero)

El altavoz tendrá un buen efecto en el sistema de audio.

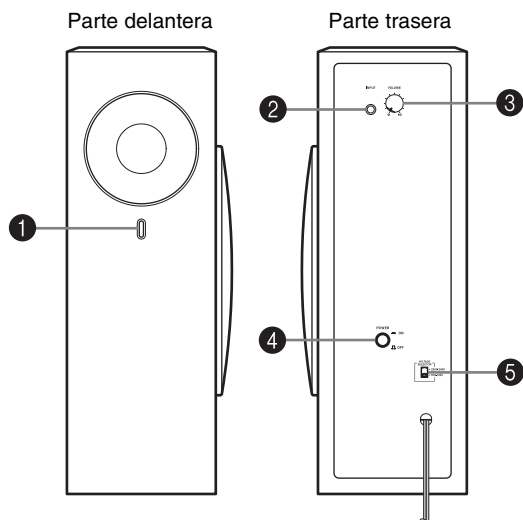
Al usar un altavoz de ultr Graves, se recomienda colocarlo en el lado exterior del altavoz delantero derecho o izquierdo. (Consulte la fig. **A**.) La ubicación indicada en la fig. **B** también se puede usar, sin embargo, si el sistema de ultr Graves se coloca mirando directamente la pared, el efecto de los graves se perderá, ya que su sonido y el reflejado por la pared se anularán entre sí. Para evitar que esto suceda, coloque el sistema de ultr Graves en ángulo, tal como se indica en la fig. **A**.

### Nota

Puede darse el caso que al usar este altavoz de ultr Graves no se logre obtener un buen sonido de ultr Graves cuando escuche música desde el centro de la habitación. Esto se debe a que se generan “ondas estacionarias” entre dos paredes paralelas y cancelan el sonido de los graves.

En ese caso, coloque el altavoz de ultr Graves oblicuamente a la pared. También puede ser útil romper el paralelismo de las superficies colocando estanterías, librerías, etc., en las paredes.

## CONTROLES Y SUS FUNCIONES



### 1 Indicador de alimentación

Se ilumina en verde si el interruptor POWER está en la posición ON; se apaga cuando el interruptor POWER está en la posición OFF.

### 2 Terminal INPUT (FROM AMPLIFIER)

Utilizado para conectar el altavoz de ultr Graves con el terminal de altavoz de ultr Graves del amplificador. (Consulte “CONEXIONES” para obtener más información.)

### 3 Control VOLUME

Ajusta el nivel del volumen. Gire el control a la derecha para subir el volumen y a la izquierda para bajarlo.

### 4 Interruptor POWER

Pulse este interruptor hasta la posición ON para encender el altavoz de ultr Graves. Pulse de nuevo este interruptor hasta la posición OFF para apagar el altavoz de ultr Graves.

### 5 Interruptor VOLTAGE SELECTOR

(Solamente en modelos para Asia y Generales)

Si la presente configuración de tensión no es correcta, ajuste el interruptor a la tensión adecuada de su zona (110-120/220-240 V).

Consulte a su distribuidor en caso de no estar seguro de la configuración correcta.

### ADVERTENCIA

Es muy importante desenchufar el altavoz de ultr Graves antes de configurar correctamente el interruptor VOLTAGE SELECTOR.

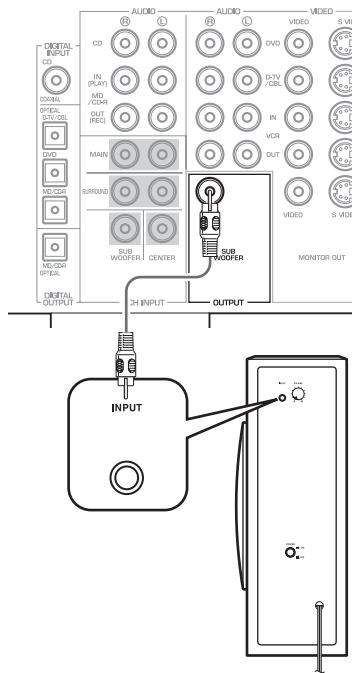
# CONEXIONES

**Precaución: desenchufe el altavoz de ultr Graves y otros componentes de audio/ vídeo antes de realizar las conexiones.**

## Conexión a los terminales (toma para clavija) de salida de línea del amplificador

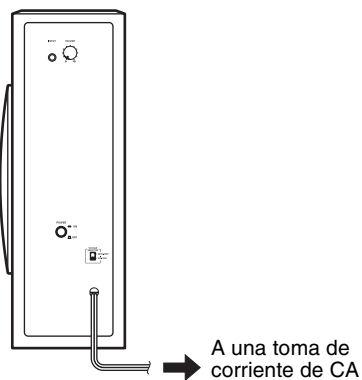
Para conectar a un amplificador (o receptor AV), conecte el terminal SUBWOOFER en la parte trasera del amplificador (o receptor AV) al terminal INPUT del altavoz de ultr Graves.

Amplificador (el panel trasero puede variar según el modelo).



## Enchufe el altavoz de ultr Graves a la toma de corriente de CA

Enchufe el altavoz de ultr Graves y otros componentes de audio/vídeo después de que haya finalizado todas las conexiones en las tomas de CA.



# AJUSTE DEL ALTAVOZ DE ULTRAGRAVES ANTES DE UTILIZARLO

Antes de utilizar el altavoz de ultr Graves, ajuste el altavoz de ultr Graves para obtener el balance de volumen óptimo entre el altavoz de ultr Graves y los altavoces principales. Para ello, siga el procedimiento que se describe a continuación.



- 1 Ajuste el control **VOLUME** al mínimo (0).
- 2 Conecte la alimentación de los demás componentes.
- 3 Asegúrese de que el interruptor **POWER** esté en la posición **ON**.  
\* El indicador de alimentación se ilumina de color verde.
- 4 Reproduzca una fuente que contenga componentes de baja frecuencia y ajuste el control de volumen del amplificador hasta el nivel de escucha deseado.
- 5 Suba el volumen gradualmente para ajustar el volumen entre el altavoz de ultr Graves y los altavoces principales. Para obtener un sonido de graves más natural, mantenga el volumen del altavoz de ultr Graves en un nuevo que prácticamente indistinguible del resto de altavoces.
- 6 Ajuste el volumen de todo el sistema de sonido con el control de volumen del amplificador.

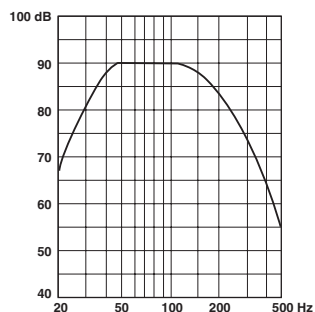
### Nota

Se recomienda ajustar el control **VOLUME** en la mitad cuando se utiliza un equipo de cine en casa multicanal.



## Característica de frecuencia

### La característica de frecuencia de este altavoz de ultr Graves



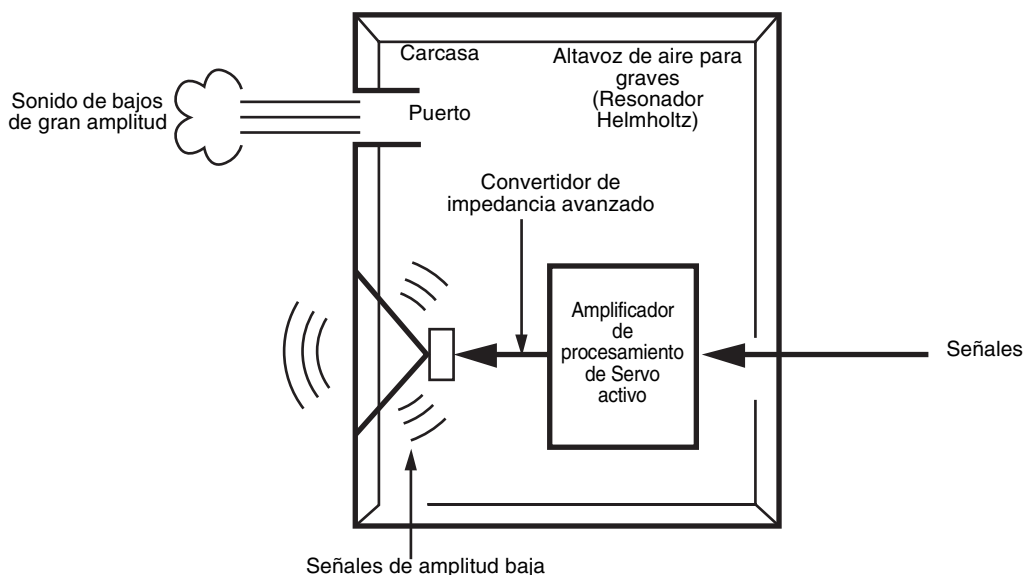
\* Este gráfico no muestra de forma precisa las características de la respuesta de frecuencia real.

# ADVANCED YAMAHA ACTIVE SERVO TECHNOLOGY II

En 1988, Yamaha comercializó unos sistemas de altavoces que utilizaban la tecnología YST (Yamaha Active Servo Technology, Tecnología avanzada de servo activo de Yamaha) para posibilitar una reproducción de graves potente y de alta calidad. Esta técnica utiliza una conexión directa entre el amplificador y el altavoz, permitiendo una gran precisión en transmisión de señales y control de altavoces.

Dado que esta tecnología utiliza unidades de altavoces controlados por el impulso de impedancia negativa del amplificador y por la resonancia generada entre el volumen y el puerto de la carcasa del altavoz, se crea una energía resonante (el concepto de “altavoz de aire para graves”) superior a la del método estándar de reflexión de graves. Esto permite una reproducción de graves en carcasas mucho más pequeñas de lo que era posible hasta ahora.

La tecnología Advanced YST II de Yamaha, recientemente desarrollada, añade perfección considerablemente la Yamaha Active Servo Technology, lo que permite un mejor control de las fuerzas que inciden en el amplificador y el altavoz. Desde el punto de vista del amplificador, la impedancia del altavoz cambia según la frecuencia de sonido. Yamaha ha desarrollado un nuevo diseño de circuitos que combina los impulsos de impedancia negativa y corriente constante, lo cual permite un funcionamiento más estable y una reproducción clara de los graves sin ninguna opacidad.



## LOCALIZACIÓN DE AVERÍAS

Consulte el siguiente cuadro cuando el aparato no funcione bien. Si el problema no es uno de los que aparecen en la siguiente lista o si las instrucciones facilitadas no ayudan a solucionar el problema, desenchufe el cable eléctrico y llame a un distribuidor o centro de servicio autorizado de YAMAHA.

Problema	Causa	Qué hacer
<b>No hay corriente aunque el interruptor POWER está en la posición ON.</b>	El enchufe eléctrico no está conectado correctamente.	Conéctelo correctamente.
<b>No se escucha sonido.</b>	El volumen está ajustado al mínimo.	Suba el volumen.
	Las conexiones de los cables de altavoces están flojas.	Conecte los cables de altavoces correctamente.
<b>El sonido es muy bajo.</b>	Se está reproduciendo una fuente de sonidos con pocos graves.	Reproduzca una fuente de sonido con frecuencias graves.
	Están actuando ondas estacionarias.	Cambie los altavoces de ultr Graves de sitio o elimine el paralelismo entre las superficies colocando una estantería, librería, etc. en las paredes.



# ESPECIFICACIONES

<b>Tipo</b> .....	Advanced Yamaha Active Servo Technology II (Tecnología avanzada de servo activo de Yamaha II)	<b>Consumo eléctrico</b> .....	40 W
<b>Unidad</b> .....	Altavoz cónico de 16 cm Tipo de blindaje magnético	<b>Dimensiones (An x Al x Pr)</b> .....	166 mm x 450 mm x 366 mm
<b>Salida de amplificador (100 Hz, 5 ohmios, 10% THD)</b> .....	50 W	<b>Peso</b> .....	10 kg
<b>Respuesta de frecuencia</b> .....	30 Hz - 160 Hz	Tenga en cuenta que todas las especificaciones pueden verse sometidas a cambios sin previo aviso.	

## Alimentación

Modelos para EE.UU. y Canadá .....	120 V CA, 60 Hz
Modelos para Reino Unido y Europa .....	230 V CA, 50 Hz
Modelo para Australia .....	240 V CA, 50 Hz
Modelo para China .....	220 V CA, 50 Hz
Modelo para Corea .....	220 V CA, 60 Hz
Modelos para Asia y Generales .....	110-120/220-240 V CA, 50/60 Hz

## Cuidados del potenciador de graves

- Cuando limpie esta unidad, no utilice productos químicos (como alcohol o disolventes): podrían dañar el acabado. Utilice un paño limpio y seco para la limpieza. Para las manchas más difíciles, humedezca un paño en agua, frote la mancha y seque la zona con el paño.
- (Para modelos con acabado pulido) No golpee la superficie del instrumento con objetos metálicos, de porcelana ni con objetos duros de cualquier otro tipo, ya que el acabado podría agrietarse o desprenderse. Proceda con cuidado.

## Garantía limitada para el Área Económica Europea (AEE) y Suiza

Gracias por haber elegido un producto Yamaha. En el caso poco probable de que su producto Yamaha necesite el servicio que concede la garantía, póngase en contacto por favor con el concesionario a quien adquirió el producto. Si usted tiene alguna dificultad, póngase en contacto por favor con la oficina representativa de Yamaha en su país. Podrá encontrar todos los detalles necesarios en nuestros sitios Web (<http://www.yamaha-hifi.com/> o <http://www.yamaha-uk.com/> para los residentes del Reino Unido).

El producto tiene una garantía de dos años, a partir de la fecha de la compra original, que cubre las reparaciones de las averías que pueda tener debido a defectos en la mano de obra o en los materiales empleados en su fabricación. Yamaha se compromete, sujeto a las condiciones listadas más abajo, a reparar el producto o cualquier pieza (o piezas) que tenga defectos, o a sustituirlo, a discreción de Yamaha, sin cobrar ningún honorario por las piezas o la mano de obra. Yamaha se reserva el derecho de reemplazar un producto por otro de clase y/o precio y condiciones similares, en el caso de que éste no se fabrique más o se considere que las reparaciones resultan poco económicas.

### Condiciones de la garantía

1. El producto defectuoso DEBERÁ ir acompañado de la factura o recibo de venta original (que muestre la fecha de la compra, el código del producto y el nombre del concesionario), junto con una explicación que describa detalladamente la avería. Si falta esta prueba clara de la compra, Yamaha se reserva el derecho a no proveer el servicio de reparaciones gratis, y el producto podrá ser devuelto al cliente corriendo éste con todos los gastos relacionados con el envío.
2. El producto DEBERÁ haber sido adquirido en el establecimiento de un concesionario Yamaha AUTORIZADO dentro del Área Económica Europea (AEE) o Suiza.
3. El producto no deberá haber sido sometido a ninguna modificación ni alteración, a menos que ésta haya sido autorizada por escrito por Yamaha.
4. De esta garantía se excluye lo siguiente:
  - a. El mantenimiento periódico y la reparación o sustitución de piezas debidos al desgaste natural.
  - b. Los daños debidos a:
    - (1) Reparaciones realizadas por el propio cliente o por un tercero que no cuente con ninguna autorización.
    - (2) Embalaje inadecuado o maltrato, cuando el producto está siendo transportado desde el lugar de residencia del cliente. Tenga en cuenta que el cliente es el responsable de embalar el producto adecuadamente cuando éste es devuelto para ser reparado.
    - (3) Mal uso, incluyendo, pero sin limitarse a: (a) no usar el producto de forma normal o no seguir las instrucciones de uso, mantenimiento y almacenamiento apropiadas indicadas por Yamaha, y (b) instalación o uso del producto de forma inconsistente con las normas técnicas o de seguridad vigentes en el país donde éste se utiliza.
    - (4) Accidentes, rayos, agua, fuego, ventilación inadecuada, fuga de pilas o cualquier otra causa fuera del control de Yamaha.
    - (5) Defectos del sistema en el que se incorpora este producto e/o incompatibilidad con productos de terceros.
    - (6) Uso de un producto importado en la EEA y/o Suiza, no por Yamaha, donde ese producto no cumple con las normas técnicas o de seguridad del país donde se usa y/o con la especificación estándar de un producto vendido por Yamaha en la EEA y/o en Suiza.
    - (7) Productos que no están relacionados con AV (audiovisual).  
(Los productos sujetos a la "Declaración de Garantía de AV de Yamaha" se definen en nuestro sitio Web <http://www.yamaha-hifi.com/> o <http://www.yamaha-uk.com/> para los residentes del Reino Unido.)
5. Cuando las garantías del país donde se compra el producto y del país donde éste se usa son diferentes se aplicará la garantía del país donde se usa el producto.
6. Yamaha no se hará responsable de ninguna pérdida o daño directo, emergente o de cualquier otro tipo; sólo se hará responsable de la reparación o sustitución del producto.
7. Haga una copia de seguridad de cualquier configuración o datos personalizados, ya que Yamaha no se hará responsable de ninguna alteración o pérdida que tal configuración o datos puedan sufrir.
8. Esta garantía no afecta a los derechos legales del consumidor bajo las leyes nacionales aplicables vigentes, ni a los derechos del consumidor contra el concesionario surgidos de su contrato de venta/compra.

## LET OP: lees eerst deze aanwijzingen alvorens het apparaat in gebruik te nemen

Gelieve de volgende voorzorgsmaatregelen te lezen alvorens het toestel te gebruiken. YAMAHA is niet aansprakelijk voor schade en/of letsels die zijn veroorzaakt doordat onderstaande voorzorgsmaatregelen niet in acht zijn genomen.

- Lees deze handleiding nauwkeurig door om de best mogelijke resultaten te verkrijgen. Bewaar de gebruiksaanwijzing voor later gebruik.
- Plaats dit toestel op een koele, droge, propere plaats - niet in de buurt van ramen of warmtebronnen, noch op plaatsen die onderhevig zijn aan hevige trillingen, veel stof, vocht of koelte. Plaats het toestel niet in de buurt van mogelijke storingsbronnen (transformators, motoren). Stel dit toestel niet bloot aan regen of water om het risico op brand of elektrische schokken te voorkomen.
- Open nooit de behuizing. Raadpleeg uw verdeler wanneer er een vreemd voorwerp in het toestel terechtgekomen is.
- De gebruikte spanning moet dezelfde zijn als de spanning die is aangegeven op het achterpaneel. Gebruik van dit apparaat met een hogere spanning dan aangegeven is gevaarlijk en kan brand en/of elektrische schokken veroorzaken.
- Stel het apparaat niet bloot aan regen of vocht om het risico op brand of elektrische schokken te voorkomen.
- Oefen nooit overmatige kracht uit op de schakelaars, bedieningselementen of op de aansluitkabels. Bij het verplaatsen van het toestel, dient u eerst de stekker uit het stopcontact te trekken en de verbindingen met overige apparaten los te maken. Trek nooit aan de kabels zelf.
- Wanneer u het apparaat gedurende een langere periode niet gaat gebruiken (bv. vakantie, enz.) dient u de stekker steeds uit het stopcontact te trekken.
- Trek tijdens een onweer de stekker uit het stopcontact om schade als gevolg van blikseminslag te voorkomen.
- Aangezien dit apparaat uitgerust is met een ingebouwde vermogensversterker, straalt het achterpaneel hitte uit. Plaats het apparaat niet tegen een muur en laat minstens 20 cm ruimte aan de bovenzijde, achterzijde, links en rechts van het apparaat om beschadiging of brand te voorkomen. Plaats het apparaat ook niet met het achterpaneel naar beneden gericht op de grond of op een ander oppervlak.
- Dek het achterpaneel van dit apparaat niet af met kranten, tafeldoeken, gordijnen, enz. anders kan de warmte niet worden afgegeven. Als de temperatuur in dit apparaat stijgt, kan dit brand, schade aan het toestel en/of lichamelijke letsels veroorzaken.
- De volgende voorwerpen mogen niet op dit toestel worden geplaatst:  
Glas, porselein, kleine metalen voorwerpen, enz.  
Als glas e.d. valt door trillingen en dan in stukken breekt, kan dit lichamelijke letsels veroorzaken.  
Brandende kaarsen, enz.  
Als de kaars valt door trillingen, kan dit brand en lichamelijke letsels veroorzaken.  
Voorwerpen die water bevatten  
Als het voorwerp valt door trillingen en het water loopt eruit, kan dit de luidspreker beschadigen en/of kunt u een elektrische schok krijgen.

**WAARSCHUWING**  
STEL HET APPARAAT NIET BLOOT AAN REGEN OF VOCHT OM HET RISICO OP BRAND OF ELEKTRISCHE SCHOKKEN TE VOORKOMEN.

- Plaats dit toestel niet op een plaats waar er waterdruppels e.d. op kunnen vallen. Anders kan dit brand, schade aan het toestel en/of lichamelijke letsels veroorzaken.
- Steek nooit uw hand of een vreemd voorwerp in de YST-poort aan de rechterzijde van dit toestel. Neem de poort niet vast wanneer u het toestel verplaatst. Dit kan lichamelijke letsels en/of schade aan het toestel veroorzaken.
- Plaats nooit een breekbaar voorwerp naast de YST-poort van dit toestel. Als het voorwerp valt als gevolg van de luchtdruk, kan dit schade aan het toestel en/of lichamelijke letsels veroorzaken.
- Open nooit de behuizing. Dit kan een elektrische schok veroorzaken, aangezien dit apparaat gebruik maakt van hoogspanning. Dit kan eveneens lichamelijke letsels en/of beschadigingen aan het toestel veroorzaken.
- Als u een luchtbevochtiger gebruikt, moet u condensatie in dit toestel voorkomen. Voorzie hiervoor voldoende ruimte rond dit toestel of voorkom overmatige bevochtiging. Condensatie kan brand, schade aan het toestel en/of elektrische schokken veroorzaken.
- De krachtige lage frequenties die door dit toestel worden voortgebracht, kunnen bij gebruik van een platenspeler leiden tot huilende geluiden. Plaats in dergelijk geval het toestel op een afstand van de platenspeler.
- Dit toestel kan beschadigd worden als bepaalde geluiden ononderbroken worden uitgevoerd met een hoog volumeniveau. Wanneer bijvoorbeeld sinusgolven van 20 Hz - 50 Hz van een testdisk of lage tonen van elektronische instrumenten, enz. ononderbroken worden uitgevoerd, of wanneer de naald van een platenspeler op een plaats wordt geplaatst, moet u het volumeniveau verlagen om te voorkomen dat dit apparaat wordt beschadigd.
- Indien u merkt dat het toestel vervormde geluiden voortbrengt (bv. onnatuurlijke, "kloppende" of "tikkende" geluiden die zich met tussenpozen voordoen), dient u het volumeniveau te verlagen. Door de lage frequentietonen van het geluidsspoor van een film of soortgelijke luide stukken popmuziek met een buitengewoon hoog volume af te spelen, wordt het luidsprekersysteem mogelijk beschadigd.
- De trillingen die worden veroorzaakt door ultralage frequenties kunnen het tv-beeld vervormen. Plaats in dergelijk geval het toestel op een afstand van de tv.
- Probeer nooit dit toestel te reinigen met behulp van chemische reinigingsmiddelen, aangezien dit de afwerking kan beschadigen. Gebruik een zuivere, droge doek.
- Wanneer u vermoedt dat het toestel defect is, dient u eerst het hoofdstuk "VERHELPEM VAN PROBLEMEN" te raadplegen voor meer informatie betreffende veel voorkomende bedieningsfouten.
- Plaats dit toestel in de buurt van een stopcontact op een plek waar u de stekker gemakkelijk kunt bereiken.
- **Installatie van het toestel op een veilige en plaats is de verantwoordelijkheid van de gebruiker. YAMAHA is niet aansprakelijk voor ongevallen veroorzaakt door onjuiste plaatsing of installatie van de luidsprekers.**

Zorg ervoor dat u minstens 20 cm ruimte laat aan de bovenkant, de achterkant en de zijkanten van het toestel.

- **VOLTAGE SELECTOR**

(Alleen modellen voor Azië en algemene modellen)

**De spanningskeuzeschakelaar op het achterpaneel van dit toestel dient correct ingesteld te worden op de plaatselijke netspanning ALVORENS de stekker van het netsnoer van dit toestel in het stopcontact te steken. Instelbare netspanningen zijn 110-120/220-240 V wisselstroom, 50/60 Hz.**

De stroomvoorziening van dit toestel is niet afgesloten zolang de stekker in het stopcontact zit, ook al is het toestel zelf uitgeschakeld. Het toestel werd ontworpen om in deze stand slechts een zeer kleine hoeveelheid stroom te verbruiken.

Dit apparaat heeft een magnetisch afgeschermd constructie, maar toch bestaat de kans dat wanneer dit apparaat te dicht bij een tv-toestel geplaatst wordt, de kwaliteit van de kleuren nadelig beïnvloed zal worden. In dat geval zet u dit apparaat op wat grotere afstand van het tv-toestel.

### Informatie voor gebruikers van inzameling en verwijdering van oude apparaten.



Dit teken op de producten, verpakkingen en/of bijgaande documenten betekent dat gebruikte elektrische en elektronische producten niet mogen worden gemengd met algemeen huishoudelijk afval.

Breng alstublieft voor de juiste behandeling, herwinning en hergebruik van oude producten deze naar daarvoor bestemde verzamelpunten, in overeenstemming met uw nationale wetgeving en de instructies 2002/96/EC.

Door deze producten juist te rangschikken, helpt u het redden van waardevolle rijkdommen en voorkomt u mogelijke negatieve effecten op de menselijke gezondheid en de omgeving, welke zich zou kunnen voordoen door on gepaste afvalverwerking.

Voor meer informatie over het inzamelen en hergebruik van oude producten kunt u contact opnemen met uw plaatselijke gemeente, uw afvalverwerkingsbedrijf of het verkooppunt waar u de artikelen heeft gekocht.

[Informatie over verwijdering in andere landen buiten de Europese Unie]

Dit symbool is alleen geldig in de Europese Unie. Mocht u artikelen weg willen gooien, neem dan alstublieft contact op met uw plaatselijke overheidsinstantie of dealer en vraag naar de juiste manier van verwijderen.



## INHOUD

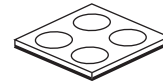
KENMERKEN .....	1
BIJGELEVERDE ACCESSOIRES .....	1
DE ANTISLIPLAATJES BEVESTIGEN .....	1
OPSTELLING.....	2
BEDIENINGSELEMENTEN EN HUN FUNCTIES .....	2
AANSLUITINGEN .....	3
Aansluiting op de lijnuitgangsaansluitingen (pin- uitgangen) van de versterker .....	3
Aansluiten van de subwoofer op het stopcontact .....	3
INSTELLING VAN DE SUBWOOFER VOOR GEBRUIK .....	3
Frequentiekaracteristiek .....	3
ADVANCED YAMAHA ACTIVE SERVO TECHNOLOGY II.....	4
VERHELPELEN VAN PROBLEMEN.....	4
SPECIFICATIES .....	5

## KENMERKEN

- Deze subwoofer maakt gebruik van de Advanced Yamaha Active Servo Technology II, die door Yamaha werd ontwikkeld voor de reproductie van ultralage tonen van superieure kwaliteit (zie pagina 4 voor meer informatie over Advanced Yamaha Active Servo Technology II). Deze krachtige lage tonen zorgen voor een realistischer geluid waardoor u het gevoel krijgt dat u in de bioscoop zit.
- Deze subwoofer is gemakkelijk aan te sluiten op uw bestaand audiosysteem door het toestel te verbinden met de luidsprekeruitgangen of de lijnuitgangsaansluitingen (pin-uitgangen) van de versterker.
- Dit subwoofersysteem is uitgerust met een lineaire poort die uniek is bij Yamaha. Deze poort onderdrukt externe ruis die niet in het originele ingangssignaal voorkomt en biedt dus een betere basrespons tijdens het afspelen.

## BIJGELEVERDE ACCESSOIRES

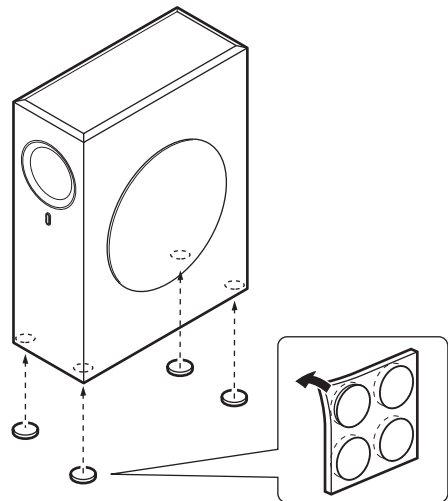
Controleer na het uitpakken of de volgende onderdelen aanwezig zijn.



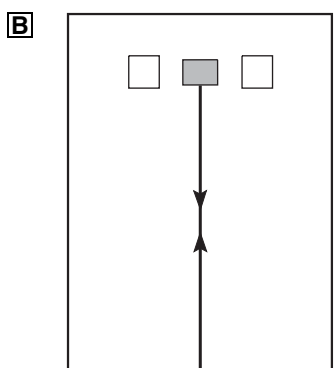
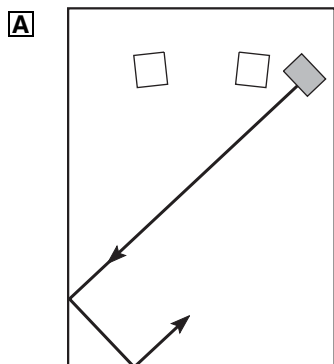
Antisliplaatjes

## DE ANTISLIPLAATJES BEVESTIGEN

Om te genieten van het hogekwaliteitsgeluid dient u de subwoofer te stabiliseren door middel van de antisliplaatjes. Bevestig de bijgeleverde antisliplaatjes op de vier hoeken op de onderkant van de subwoofer om te voorkomen dat de subwoofer verschuift als gevolg van trillingen enz.



## OPSTELLING



(  : subwoofer,  : voorluidspreker)

De subwoofer zal een goed effect hebben op uw audiosysteem.

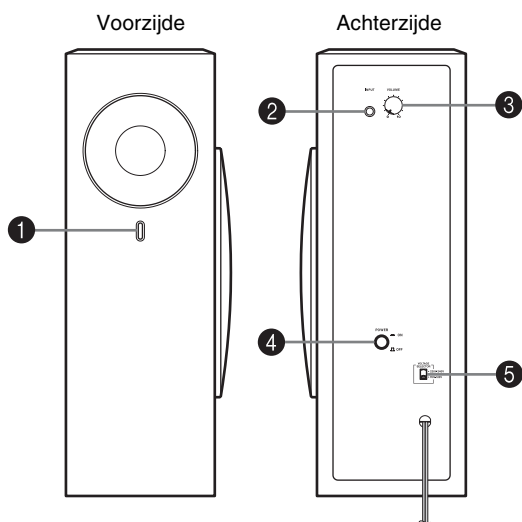
Als u de subwoofer gebruikt, plaats hem dan bij voorkeur aan de buitenzijde van de rechter of linker voorluidspreker. (Zie afb. **A**.) De opstelling weergegeven in afb. **B** is ook mogelijk. Wanneer het subwoofersysteem echter rechtstreeks in de richting van de muur wordt geplaatst, bestaat de kans dat het baseffect daaronder lijdt doordat directe en weerkaatste geluiden worden uitgeschakeld. Om dit te voorkomen, dient u het subwoofersysteem schuin te plaatsen, zoals aangegeven in afb. **A**.

### Opmerking

**Het is mogelijk dat de subwoofer onvoldoende ultralage tonen produceert wanneer u in het midden van de kamer luistert. Dit komt doordat er zich "staande golven" hebben ontwikkeld tussen twee parallel staande muren waardoor de lage tonen wegvallen.**

**Stel in dit geval de subwoofer schuin ten opzichte van de muur op. Het kan ook nodig zijn evenwijdige oppervlakken te doorbreken door bijvoorbeeld boekenplanken tegen de muren te plaatsen.**

## BEDIENINGSELEMENTEN EN HUN FUNCTIES



- 1 Spanningsindicator**  
Licht groen op als de POWER-schakelaar in de stand ON staat; dooft als de POWER-schakelaar in de stand OFF staat.
- 2 INPUT (FROM AMPLIFIER)-aansluiting**  
Via deze aansluitingen kan de subwoofer worden aangesloten op de subwooferaansluiting van de versterker.  
(Zie "AANSLUITINGEN" voor meer informatie.)
- 3 VOLUME-regelaar**  
Regelt het volumeniveau. Draai de regelaar met de klok mee om het volume te verhogen en tegen de klok in om het volume te verlagen.
- 4 POWER-schakelaar**  
Druk deze schakelaar naar de stand ON om de stroom van de subwoofer in te schakelen. Druk nogmaals op deze schakelaar om hem in de stand OFF te brengen, om de stroom van de subwoofer uit te schakelen.
- 5 VOLTAGE SELECTOR-schakelaar**  
**(Alleen modellen voor Azië en algemene modellen)**  
Als de vooraf gekozen instelling van de schakelaar verkeerd is, zet u de schakelaar op de juiste plaatselijke netspanning (110-120/220-240V).  
Raadpleeg uw verdeler indien u twijfelt over de juiste instelling.

### WAARSCHUWING

**Trek de stekker van de subwoofer uit het stopcontact voor u de VOLTAGE SELECTOR-schakelaar correct instelt.**

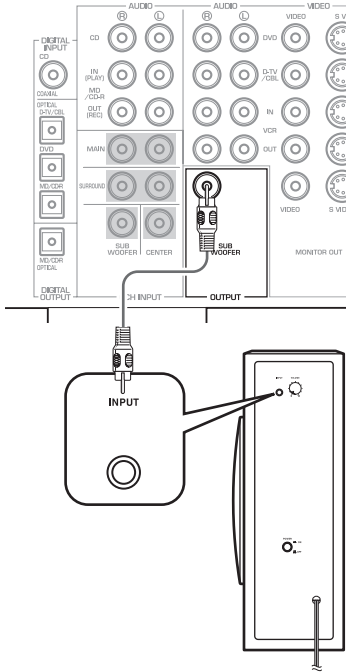
# AANSLUITINGEN

**Opgelet:** ontkoppel de subwoofer en andere audio-/videocomponenten voordat u aansluitingen tot stand brengt.

## Aansluiting op de lijnuitgangsaansluitingen (pin-uitgangen) van de versterker

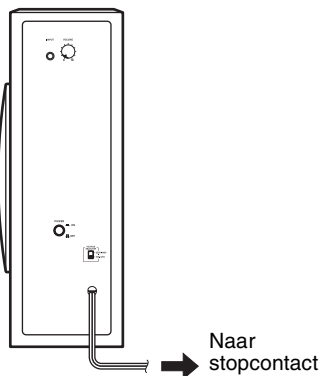
Verbind voor aansluiting op een versterker (of AV-ontvanger) de SUBWOOFER-aansluiting aan de achterzijde van de versterker (of AV-ontvanger) met de INPUT-aansluiting van de subwoofer.

Versterker (Het achterpaneel verschillende versterkers kan verschillen van uitzicht.)



## Aansluiten van de subwoofer op het stopcontact

Steek de stekker van de subwoofer en overige audio-/videocomponenten pas in het stopcontact nadat alle aansluitingen tot stand gebracht zijn.



# INSTELLING VAN DE SUBWOOFER VOOR GEBRUIK

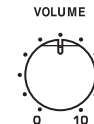
Stel de subwoofer in voor u deze in gebruik neemt. U verkrijgt de optimale volumebalans tussen de subwoofer en de voorluidsprekers door de hieronder aangegeven procedure te volgen.



- 1 Zet de **VOLUME**-regelaar in de laagste stand (0).
- 2 Schakel alle overige componenten in.
- 3 Zorg dat de **POWER**-schakelaar in de stand ON is gezet.  
\* De spanningsindicator licht groen op.
- 4 Speel een bron af die componenten met een lage frequentie bevat en stel het volume van de versterker in op het gewenste luisterniveau.
- 5 Verhoog het volume geleidelijk om de volumebalans tussen de subwoofer en de voorluidsprekers aan te passen.  
Hou het volume van de subwoofer op een niveau waar het nauwelijks te onderscheiden is van andere luidsprekers, om natuurlijk lage tonen te verkrijgen.
- 6 Pas het volume van het hele geluidssysteem aan met de volumeregelaar van de versterker.

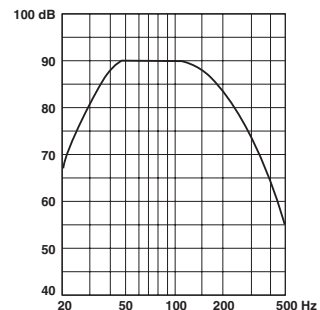
### Opmerking

Plaats de **VOLUME**-regelaar bij voorkeur ongeveer in het midden als u de subwoofer in een meerkanaals thuisbioscoop gebruikt.



## Frequentiekaracteristiek

### Frequentiekaracteristiek van deze subwoofer



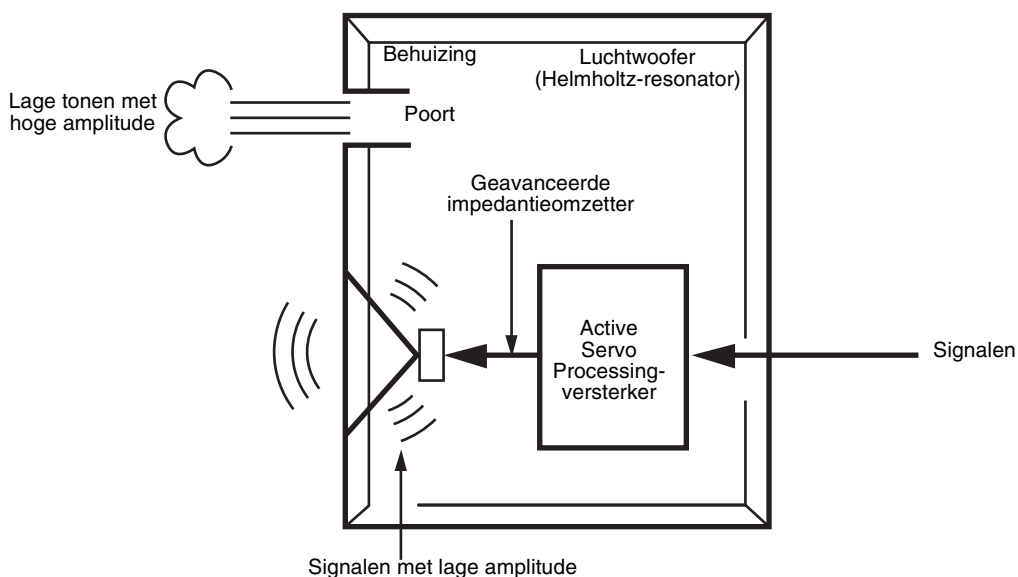
\* Dit diagram geeft de werkelijke frequentiekaracteristieken niet nauwkeurig weer.

# ADVANCED YAMAHA ACTIVE SERVO TECHNOLOGY II

In 1988 bracht Yamaha luidsprekersystemen op de markt die gebruik maken van YST (Yamaha Active Servo Technology) waardoor een dynamische en hoogwaardige weergave van de lage tonen wordt verkregen. Deze technologie gebruikt een directe aansluiting tussen de versterker en de luidsprekers, waardoor een getrouwe signaaloverdracht en een nauwkeurige besturing van de luidsprekers wordt verkregen.

Deze technologie maakt gebruik van luidsprekers die aangestuurd worden via de negatieve impedantieaandrijving van de versterker en van resonantie die tussen het volume van de luidsprekerbehuizing en de poort wordt voortgebracht. Daardoor produceert zij meer resonantie-energie (het "luchtwoofer"-concept) dan de conventionele basreflexmethode. Dit maakt het mogelijk om lage tonen weer te geven via veel kleinere behuizingen dan voordien mogelijk was.

Yamaha's nieuw ontwikkelde Advanced YST II voegt vele verbeteringen toe aan de Yamaha Active Servo Technology, waardoor de aandrijvingen van de versterker en de luidsprekers beter bestuurd kunnen worden. Vanuit het standpunt van de versterker, verandert de luidsprekerimpedantie in overeenstemming met de geluidsfrequentie. Yamaha heeft een nieuw circuit ontworpen waarin negatieve impedantieaandrijving en constante stroomaandrijving worden gecombineerd, zodat stabielere prestaties en een zuivere en scherp gedefinieerde weergave van de lage tonen worden verkregen.



## VERHELPEN VAN PROBLEMEN

Raadpleeg de onderstaande tabel indien het toestel niet correct functioneert. Als het probleem dat u ondervindt niet in de onderstaande tabel is opgenomen of als de onderstaande instructies niet helpen, verwijdert u de stekker van het toestel uit het stopcontact en neemt u contact op met een bevoegde YAMAHA-verdeler of -reparatiedienst.

Probleem	Oorzaak	Oplossing
<b>Het apparaat kan niet worden ingeschakeld, hoewel de POWER-schakelaar in de stand ON is gezet.</b>	De stekker van het netsnoer is niet goed aangesloten.	Sluit de stekker goed aan.
<b>Geen geluid.</b>	Het volume staat in de laagste stand.	Verhoog het volume.
	De luidsprekerkabels zijn niet stevig aangesloten.	Sluit de kabels stevig aan.
<b>Het geluidsniveau is te laag.</b>	Een brongeluid met weinig lage frequenties wordt afgespeeld.	Speel een brongeluid af met lage frequenties.
	Er is invloed van staande golven.	Stel de subwoofer anders op of doorbreek parallelle oppervlakken door boekenplanken, enz. langs de muren te plaatsen.



# SPECIFICATIES

Type .....	Advanced Yamaha Active Servo Technology II	Vermogensverbruik .....	40 W
Driver .....	Conuswoofer van 16 cm Type: magnetische afscherming	Afmetingen (b × h × d) .....	166 mm × 450 mm × 366 mm
Uitgangsvermogen versterker (100 Hz, 5 ohm, 10% THD) .....	50 W	Gewicht .....	10 kg

Alle specificaties zijn onder voorbehoud en kunnen zonder voorafgaande kennisgeving worden gewijzigd.

Frequentieweergave ..... 30 Hz - 160 Hz

## Spanningsvereisten

Modellen voor Verenigde Staten en Canada .....	120 V wisselstroom, 60 Hz
Modellen voor Verenigd Koninkrijk en Europa .....	230 V wisselstroom, 50 Hz
Model voor Australië.....	240 V wisselstroom, 50 Hz
Model voor Chinees .....	220 V wisselstroom, 50 Hz
Model voor Koreaans .....	220 V wisselstroom, 60 Hz
Modellen voor Azië en algemene modellen .....	110-120/220-240 V wisselstroom, 50/60 Hz

## Onderhoud van de subwoofer

- Gebruik bij het afstoffen van het toestel geen chemische oplosmiddelen (bv. alcohol of verdunningsmiddelen): de afwerking kan daardoor beschadigd worden. Gebruik een schone, droge doek. Bij hardnekkige vlekken dient u een zachte doek te bevochtigen, uit te wringen en dan over de vlekken te vegen.
- (Voor het model met gepolijste afwerking) Tegen het oppervlak van het instrument stoten met metalen, porceleinen of andere harde voorwerpen kan ervoor zorgen dat de afwerklaag barst of afschilfert. Wees voorzichtig.

## Bepaalde garantie voor de Europese Economische Ruimte en Zwitserland

Hartelijk dank dat u een Yamaha-product hebt gekozen. In het onwaarschijnlijke geval dat uw Yamaha-product tijdens de garantie dient te worden gerepareerd, dient u contact op te nemen met de dealer bij wie u het hebt gekocht. Indien u moeilijkheden ervaart, gelieve dan contact op te nemen met de vertegenwoordiging van Yamaha in uw land. U vindt de gegevens op onze website (<http://www.yamaha-hifi.com/> of <http://www.yamaha-uk.com/> voor inwoners van het V.K.).

Er wordt gegarandeerd dat het product vrij is van gebreken in fabricage en materialen voor een periode van twee jaren te rekenen vanaf de originele aankoop. Yamaha zorgt ervoor, met inachtneming van onderstaande voorwaarden, dat een product dat gebreken vertoont wordt gerepareerd of dat om het even welke onderdelen worden gerepareerd of vervangen (naar goeddunken van Yamaha) zonder kosten voor de onderdelen of werkuren. Yamaha behoudt zich het recht voor om een product te vervangen door een gelijkwaardig met dezelfde eigenschappen en waarde, indien een model niet meer leverbaar is of het onrendabel is dit te repareren.

### Voorwaarden

1. De originele factuur of de kassabon (met vermelding van de aankoopdatum, de productcode en de naam van de dealer) MOET worden gevoegd bij het product dat gebreken vertoont, samen met een verklaring waaruit het gebrek blijkt. Ingeval van afwezigheid van dit duidelijk aankoopbewijs, behoudt Yamaha zich het recht voor om gratis service te weigeren en kan het product op kosten van de klant worden teruggezonden.
2. Het product MOET zijn gekocht bij een ERKENDE Yamaha dealer binnen de Europese Economische Ruimte (EEA) of Zwitserland.
3. Het product mag geen wijzigingen of veranderingen hebben ondergaan, tenzij deze schriftelijk door Yamaha werden toegestaan.
4. Het volgende is van garantie uitgesloten:
  - a. Regelmatig onderhoud of reparaties of vervanging van onderdelen vanwege normale slijtage.
  - b. Schade die voortkomt uit:
    - (1) Reparaties uitgevoerd door de klant zelf of een ongemachtigde derde.
    - (2) Een onjuiste verpakking of oneigenlijk gebruik wanneer het product door de klant wordt verstuurd. Het is belangrijk te weten dat het de verantwoordelijkheid is van diegene die het product terugstuurt dat het product adequaat is ingepakt wanneer hij of zij het product terugstuurt met het oog op reparatie.
    - (3) Oneigenlijk gebruik, met inbegrip van maar niet beperkt tot (a) verzuim om het product voor normale doeleinden te gebruiken of te gebruiken overeenkomstig de instructies van Yamaha met betrekking tot eigenlijk gebruik, onderhoud en opslag, en (b) installatie of gebruik van het product op een manier die niet overeenkomt met de van toepassing zijnde technische of veiligheidsnormen in de landen van gebruik.
    - (4) Ongevallen, blikseminslag, waterschade, brandschade, een onjuiste ventilatie, lekkende batterijen of een oorzaak die buiten de controle van Yamaha ligt.
    - (5) Gebreken aan het systeem waarin het product wordt ingebouwd en/of onverenigbaarheid met derde producten.
    - (6) Gebruik van een product dat in de Europese Economische Ruimte en/of Zwitserland werd ingevoerd, maar niet door Yamaha, en dat niet voldoet aan de technische of veiligheidsnormen van het land van gebruik en/of de standaardspecificaties van producten die door Yamaha in de Europese Economische Ruimte en/of Zwitserland worden verkocht.
    - (7) Producten die niet AV (audiovisueel) gerelateerd zijn.  
(De producten die onderworpen zijn aan de "Yamaha AV garantiëvoorwaarden" worden gedefinieerd op onze website: <http://www.yamaha-hifi.com/> of <http://www.yamaha-uk.com/> voor inwoners van het V.K.)
5. Indien de garantie verschilt tussen het land van aankoop en het land van gebruik, zal de garantie van het land van gebruik van toepassing zijn.
6. Yamaha kan niet aansprakelijk worden gesteld voor verlies of beschadiging, hetzij rechtstreeks of onrechtstreeks of anders, behalve voor de reparatie of vervanging van het product.
7. Maak kopieën van douaneformulieren of gegevens omdat Yamaha niet aansprakelijk kan worden gesteld voor om het even welke wijzigingen aan of verlies van dergelijke formulieren en gegevens.
8. Deze garantie heeft noch invloed op de statutaire rechten van klanten die van toepassing zijn binnen het kader van de nationale wetgevingen, noch op de rechten van klanten ten opzichte van de dealer die voortkomen uit hun overeenkomst tot verkoop/aankoop.

## ПРЕДУПРЕЖДЕНИЕ: Внимательно прочитайте этот документ перед использованием аппарата

Перед использованием ознакомьтесь со следующими мерами предосторожности. YAMAHA не будет нести ответственность за какие бы то ни было повреждения и/или травмы, вызванные несоблюдением следующих предупреждений.

- Для обеспечения наилучшего результата внимательно изучите данную инструкцию. Храните ее в безопасном месте для дальнейшего использования.
- Устанавливайте этот аппарат в прохладном, сухом, чистом месте, вдали от окон источников тепла, вибрации, пыли, влаги и холода. Избегайте установки рядом с источниками гудящего звука (трансформаторами, двигателями). Не подвергайте аппарат воздействию дождя или воды для предотвращения возникновения пожара или поражения электрическим током.
- Никогда не отрывайте корпус. Если внутрь устройства попал посторонний предмет, обратитесь к дилеру.
- Устройство необходимо подключать к источнику с напряжением, указанным на задней панели. Использование данного аппарата при напряжении, превышающем указанное, представляет опасность и может привести к пожару и/или поражению электрическим током.
- Во избежание пожара или поражения электрическим током не подвергайте этот аппарат воздействию дождя или влаги.
- Не прилагайте излишних усилий при использовании выключателей, органов управления или соединительных кабелей. При перемещении устройства сначала отключите от розетки штекер кабеля питания, а также кабели кабели, подключенные к другому оборудованию. Никогда не тяните за сами кабели.
- Если вы не собираетесь использовать данный аппарат в течение длительного времени (например, во время отпуска), отключите штекер кабеля питания переменного тока от розетки.
- Чтобы предотвратить повреждение аппарата отключайте штекер кабеля питания переменного тока от розетки во время грозы.
- Так как этот аппарат имеет встроенный усилитель мощности, его задняя панель нагревается. Разместите аппарат на расстоянии от стен, обеспечив по крайней мере 20 см пространства над аппаратом, позади него и по обеим сторонам, для предотвращения пожара или повреждения. Более того, не кладите аппарат задней панелью вниз на пол и другие поверхности.
- Чтобы не препятствовать охлаждению аппарата, не следует накрывать заднюю панель газетой, скатертью, занавеской и т.д. Повышение температуры внутри аппарата может привести к пожару, поломке аппарата и/или травме.
- Не устанавливайте следующие предметы на аппарат: стеклянные, фарфоровые изделия, небольшие металлические предметы и т.д.

Если стеклянный предмет упадет из-за вибрации и разобьется, осколки могут нанести травму.  
горящие свечи и т.д.

Падение свечи из-за вибрации может привести к возникновению пожара и нанесению травм.

емкости с водой

Падение емкости с водой из-за вибрации и вытекание воды может повредить колонку или привести к поражению электрическим током.

- Не размещайте аппарат в местах, в которых внутри его могут попасть инородные тела, например капающая вода. Это может привести к возникновению пожара, повреждению акустической системы и/или получению травм.
- Никогда не просовывайте руки и не вставляйте инородные предметы в порт YST, расположенный на правой панели этого аппарата. При перемещении этого аппарата не переносите его за этот порт, так как это может привести к получению травм и/или повреждению аппарата.
- Никогда не ставьте хрупкие предметы рядом с портом YST этого аппарата. Падение таких предметов в результате воздушного давления может привести к повреждению аппарата и/или травме.
- Никогда не отрывайте корпус. Это может привести к поражению электрическим током, так как внутри аппарата используется высокое напряжение. Это может также привести к травме и/или повреждению аппарата.
- При использовании увлажнителя предотвращайте образование конденсата внутри этого аппарата, обеспечив достаточно места вокруг него или снизив мощность увлажнителя. Конденсация может привести к пожару, повреждению этого аппарата и/или поражению электрическим током.
- Сверхнизкие частоты, воспроизводимые этим аппаратом, могут привести к генерации проигрывателем воющего звука. В этом случае отодвиньте аппарат от проигрывателя.
- Продолжительное воспроизведение звука с высоким уровнем громкости может привести к повреждению этого аппарата. Например, при продолжительном воспроизведении гармонических волн с частотой 20 Гц - 50 Гц с тестового диска, басов электронных инструментов и т.д. или при прикосновении иглы проигрывателя к поверхности диска снизьте уровень громкости этого аппарата, чтобы не повредить его.
- Если этот аппарат издает странные звуки (то есть неестественные, прерывающиеся “постукивающие” или “стучащие” звуки), снизьте уровень громкости. Очень громкое воспроизведение низкочастотных звуковых дорожек фильмов, басовых звуков или очень мощных фрагментов популярной музыки может привести к повреждению этой колонки.
- Вибрация, возникающая в результате генерации сверхнизких частот, может привести к помехам изображения на экране телевизора. В этом случае отодвиньте аппарат от телевизора.
- Не применяйте различные химические составы для очистки аппарата; так как это может привести к разрушению отделочного покрытия. Используйте чистую сухую ткань.
- Перед тем как сделать выводы о поломке данного аппарата, обязательно прочитайте раздел “ВОЗМОЖНЫЕ НЕИСПРАВНОСТИ И СПОСОБЫ ИХ УСТРАНЕНИЯ”.
- Устанавливайте этот аппарат в непосредственной близости от настенной розетки для кабеля питания переменного тока.
- **Владелец несет ответственность за размещение и надежную установку аппарата. YAMAHA не несет ответственность за любые несчастные случаи, вызванные неправильным размещением или установкой колонок.**

**ПРЕДУПРЕЖДЕНИЕ  
ВО ИЗБЕЖАНИЕ ПОЖАРА ИЛИ УДАРА  
ЭЛЕКТРИЧЕСКИМ ТОКОМ, НЕ  
ПОДВЕРГАЙТЕ ДАННЫЙ АППАРАТ  
ВОЗДЕЙСТВИЮ ДОЖДЯ ИЛИ ВЛАГИ.**

Обязательно обеспечьте по крайней мере 20 см пространства над аппаратом, позади него и по обеим сторонам.

- Переключатель **VOLTAGE SELECTOR** (Только для общих и азиатских моделей) **ПЕРЕД** подключением этого аппарата к розетке переменного тока переключатель напряжения на задней панели этого аппарата необходимо переключить в положение, соответствующее местному напряжению. Значения напряжения: **110-120/220-240 В** перем. тока, **50/60 Гц**.

Этот аппарат не отключается от источника переменного тока, пока он подключен к розетке, даже если он выключен. В этом режиме этот аппарат потребляет минимальное количество электроэнергии.

Этот аппарат имеет магнитно-экранированную конструкцию, однако существует возможность ухудшения цвета изображения, если аппарат слишком близко размещен от телевизора. В этом случае отодвиньте аппарат от телевизора.

#### Информация для пользователей по сбору и утилизации старой аппаратуры



Этот знак на аппаратуре, упаковках и в сопроводительных документах указывают на то, что подержанные электрические и электронные приборы не должны выбрасываться вместе с обычным домашним мусором.

Для правильной обработки, хранения и утилизации старой аппаратуры, пожалуйста сдавайте их в соответствующие сборные пункты, согласно вашему национальному законодательству и директив 2002/96/ЕС.

При правильном отделении этих товаров, вы помогаете сохранять ценные ресурсы и предотвращать вредное влияние на здоровье людей и окружающую среду, которое может возникнуть из-за несоответствующего обращения с отходами.

За более подробной информацией о сборе и утилизации старых товаров пожалуйста обращайтесь в вашу локальную администрацию, в ваш приёмный пункт или в магазин где вы приобрели эти товары.

[Информация по утилизации в других странах за пределами Европейского Союза]

Этот знак действителен только на территории Европейского Союза. Если вы хотите избавиться от этих предметов, пожалуйста обратитесь в вашу локальную администрацию или продавцу и спросите о правильном способе утилизации.



## СОДЕРЖАНИЕ

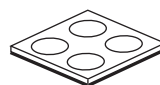
СВОЙСТВА.....	1
ПРИЛАГАЕМЫЕ ПРИНАДЛЕЖНОСТИ.....	1
УСТАНОВКА ПРОТИВОСКОЛЬЗЯЩИХ ПОДКЛАДОК.....	1
РАЗМЕЩЕНИЕ .....	2
ОРГАНЫ УПРАВЛЕНИЯ И ИХ ФУНКЦИИ.....	2
СОЕДИНЕНИЯ.....	3
Подключение к разъемам линейного выхода (штекерное гнездо) усилителя.....	3
Включите сабвуфер в розетку питания переменного тока.....	3
РЕГУЛИРОВКА САБВУФЕРА ПЕРЕД ИСПОЛЬЗОВАНИЕМ.....	3
Частотная характеристика.....	3
ТЕХНОЛОГИЯ ADVANCED YAMAHA ACTIVE SERVO TECHNOLOGY II .....	4
ВОЗМОЖНЫЕ НЕИСПРАВНОСТИ И СПОСОБЫ ИХ УСТРАНЕНИЯ .....	4
ТЕХНИЧЕСКИЕ ХАРАКТЕРИСТИКИ .....	5

## СВОЙСТВА

- В этом сабвуфере используется усовершенствованная технология Advanced Yamaha Active Servo Technology II, разработанная компанией Yamaha для воспроизведения высококачественного супербасового звучания. (Подробную информацию о технологии Advanced Yamaha Active Servo Technology II см. на стр. 4.) Данное супербасовое звучание обеспечивает на аудиосистеме более реалистичный эффект домашнего кинотеатра.
- Этот сабвуфер можно легко добавить в имеющуюся аудиосистему, подключив его к разъемам акустической системы или к разъемам линейного выхода (штекерное гнездо) усилителя.
- Эта система сабвуфера оборудована уникальным линейным портом Yamaha, который обеспечивает безупречную передачу низких частот во время воспроизведения, снижает посторонние шумы, отсутствующие в исходном входном сигнале.

## ПРИЛАГАЕМЫЕ ПРИНАДЛЕЖНОСТИ

После распаковки убедитесь в наличии следующих деталей.

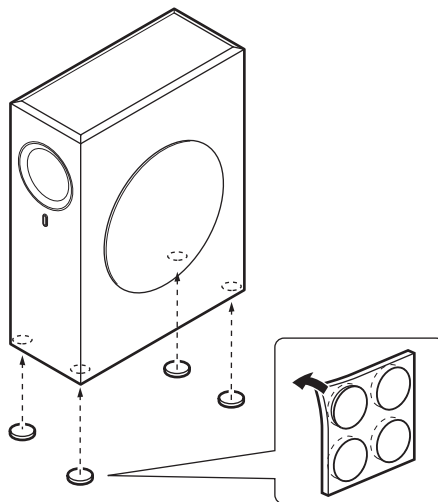


Противоскользящие подкладки

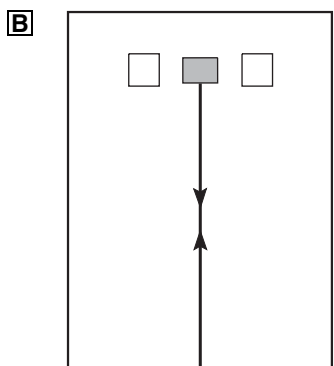
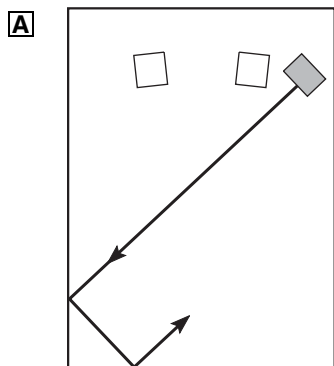
## УСТАНОВКА ПРОТИВОСКОЛЬЗЯЩИХ ПОДКЛАДОК

Для обеспечения высококачественного звучания используйте противоскользящие подкладки для стабилизации сабвуфера.

Наклейте прилагаемые противоскользящие подкладки по всем углам нижней поверхности сабвуфера, чтобы предотвратить его перемещение в результате вибрации и т.д.



## РАЗМЕЩЕНИЕ



(■ : сабвуфер, □ : фронтальные колонки)

Сабвуфер повышает качество аудиосистемы.

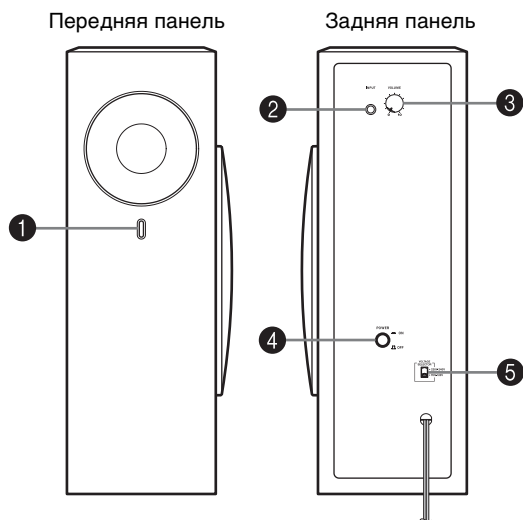
При использовании сабвуфера его рекомендуется размещать снаружи от правой или левой колонки. (см. рис. **A**.) Размещение, показанное на рис. **B** также возможно, однако если система сабвуфера размещена непосредственно перед стеной, низкие частоты могут ухудшаться, так как будут гаситься прямыми и отраженными звуками. Чтобы предотвратить этот эффект, разместите систему сабвуфера под углом, как показано на рис. **A** .

### Примечание

**Возможны ситуации, когда не удастся добиться желаемого супербасового звучания сабвуфера при прослушивании в центре комнаты. Это происходит из-за образования “стоячих волн” между двумя параллельными стенами и гашения низкочастотных звуков.**

**В этом случае разместите сабвуфер под углом к стене. Возможно, также потребуются сделать поверхности непараллельными, разместив вдоль стен книжные полки и т.д.**

## ОРГАНЫ УПРАВЛЕНИЯ И ИХ ФУНКЦИИ



- 1 Индикатор питания**  
Горит зеленым, когда выключатель POWER включен (ON); гаснет, когда выключатель POWER выключен (OFF).
- 2 Входной разъем INPUT (ОТ УСИЛИТЕЛЯ)**  
Используется для подключения сабвуфера к разъему сабвуфера усилителя. (Подробнее см. раздел “СОЕДИНЕНИЯ”.)
- 3 Регулятор громкости VOLUME**  
Регулирует уровень громкости. Поверните регулятор по часовой стрелке, чтобы увеличить уровень громкости, и против часовой стрелки, чтобы уменьшить уровень громкости.
- 4 Выключатель POWER**  
Нажмите этот выключатель в положение ON для включения питания сабвуфера. Снова нажмите этот выключатель, чтобы переключить его в положение OFF для выключения питания сабвуфера.
- 5 Переключатель VOLTAGE SELECTOR (Только для общих и азиатских моделей)**  
Если переключатель установлен в неправильное положение, установите его в положение, соответствующее напряжению в вашем регионе (110-120/220-240 В). Если вы не уверены, в какое положение установить переключатель, обратитесь к дилеру.

### ПРЕДУПРЕЖДЕНИЕ

**Перед установкой переключателя VOLTAGE SELECTOR в правильное положение обязательно отключите питания сабвуфера.**

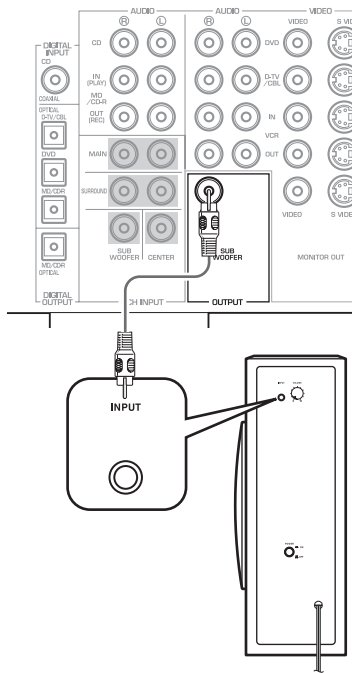
## СОЕДИНЕНИЯ

**Внимание:** Перед выполнением соединений отключите сабвуфер от розетки и других аудио-/видеокомпонентов.

### Подключение к разъемам линейного выхода (штекерное гнездо) усилителя

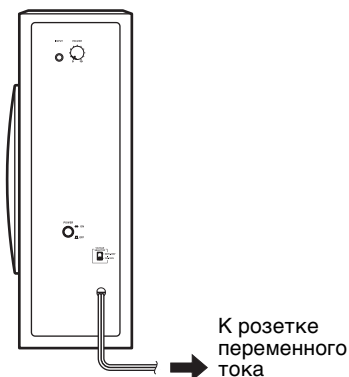
Чтобы выполнить подключение к усилителю (или аудио/видео ресиверу), подключите разъем SUBWOOFER на задней панели усилителя (или аудио/видео ресивера) к разъему INPUT этого сабвуфера.

Усилитель (у разных типов усилителей могут быть разные задние панели.)



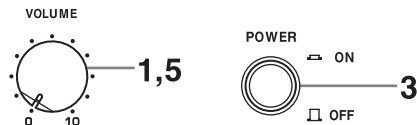
### Включите сабвуфер в розетку питания переменного тока

После выполнения всех соединений включите сабвуфер и другие аудио-/видеокомпоненты в розетки питания переменного тока.



## РЕГУЛИРОВКА САБВУФЕРА ПЕРЕД ИСПОЛЬЗОВАНИЕМ

Перед использованием сабвуфера отрегулируйте его для обеспечения оптимального баланса громкости между сабвуфером и фронтальными динамиками, выполнив описанную ниже процедуру.



- 1 Установите регулятор громкости **VOLUME** в минимальное положение (0).
- 2 Включите питание всех компонентов.
- 3 Убедитесь, что выключатель **POWER** установлен в положение включения (ON).  
\* Индикатор питания загорится зеленым.
- 4 Начните воспроизведение источника, содержащего низкочастотные компоненты, и отрегулируйте регулятор громкости усилителя до требуемого уровня.
- 5 Постепенно увеличивайте громкость, чтобы отрегулировать баланс громкости между сабвуфером и фронтальными колонками. Для обеспечения естественного басового звучания настройте громкость сабвуфера до такого уровня, на котором он едва различим на фоне других колонок.
- 6 Отрегулируйте громкость всей аудиосистемы с помощью регулятора громкости усилителя.

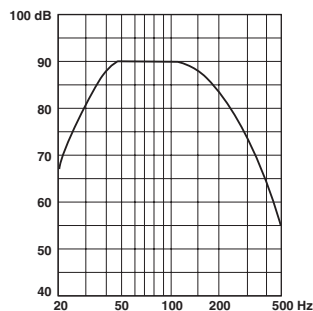
#### Примечание

При использовании многоканальной системы домашнего кинотеатра рекомендуется устанавливать регулятор громкости **VOLUME** в среднее положение.



### Частотная характеристика

Этот сабвуфер имеет следующую частотную характеристику



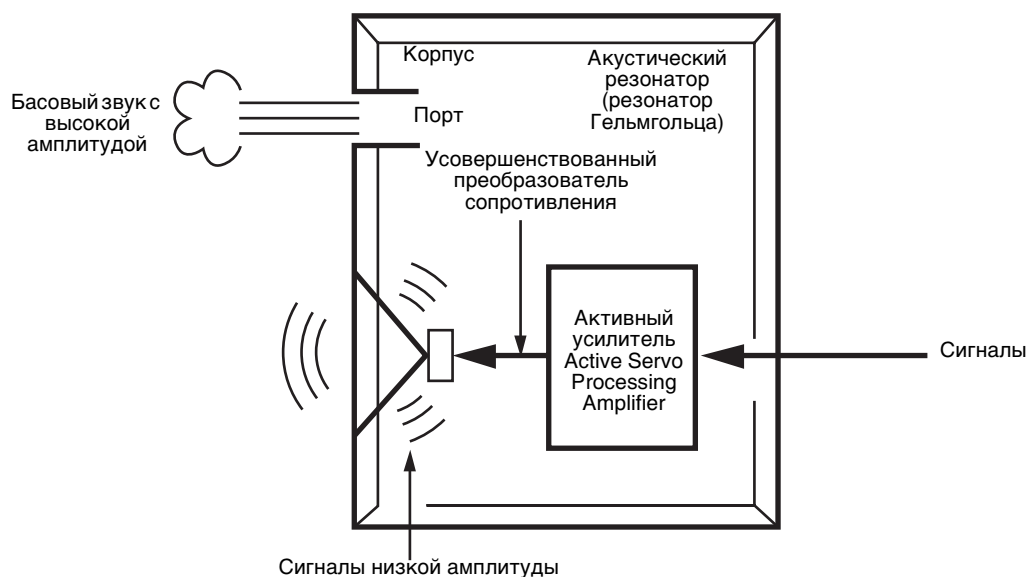
\* Эта схема не отражает действительную частотную характеристику.

# ТЕХНОЛОГИЯ ADVANCED YAMAHA ACTIVE SERVO TECHNOLOGY II

В 1988 году компания Yamaha выпустила на рынок акустическую систему, в которой использовалась технология YST (Yamaha Active Servo Technology) для мощной и высококачественной передачи басовых частот. В этой технологии используется прямое соединение между усилителем и колонками, что обеспечивает точную передачу сигнала и управление колонками.

Так как эта технология подразумевает использование колонок, в которых контролируется динамик с отрицательным сопротивлением усилителя и резонанс, создаваемый между корпусом колонки и портом, она обеспечивает большую энергию резонанса (концепция “акустического резонатора”) по сравнению с обычными фазоинверторами. Это обеспечивает более эффективную передачу басовых частот в корпусах меньшего размера, чем было возможно в прошлом.

Вновь разработанная компанией Yamaha технология Advanced YST II содержит множество доработок по сравнению с технологией Yamaha Active Servo Technology, которые обеспечивают лучший контроль сил, приводящих в действие усилитель и колонку. С точки зрения усилителя это приводит к изменению сопротивления динамика в зависимости от частоты звука. Компания Yamaha разработала новую конструкцию цепи, объединяющую динамики с отрицательным сопротивлением и динамики постоянного тока, которые обеспечивают более стабильные характеристики и чистую четкую передачу басов.



## ВОЗМОЖНЫЕ НЕИСПРАВНОСТИ И СПОСОБЫ ИХ УСТРАНЕНИЯ

Если этот аппарат работает неправильно, см. таблицу ниже. Если проблема, с которой вы столкнулись, отсутствует в этом списке или приведенные инструкции не помогают, отключите кабель питания и обратитесь к авторизованному дилеру YAMAHA или сервисный центр.

Проблема	Причина	Способ устранения
<b>Питание не подается даже в том случае, когда выключатель POWER установлен в положение включения (ON).</b>	Разъем кабеля питания подключен ненадежно.	Подключите его надежно.
<b>Нет звука.</b>	Регулятор уровня громкости установлен в минимальное положение.	Увеличьте громкость.
	Кабели динамиков подключены ненадежно.	Подключите их надежно.
<b>Слишком низкий уровень звука.</b>	Воспроизводится звук источника, в котором практически отсутствуют низкие частоты.	Воспроизведите звук источника с низкими частотами.
	На него влияют стоячие волны.	Измените положение сабвуфера или сделайте поверхности непараллельными, разместив вдоль стен книжные полки и т.д.



# ТЕХНИЧЕСКИЕ ХАРАКТЕРИСТИКИ

**Тип....** Технология Advanced Yamaha Active Servo  
Technology II

**Динамик....** низкочастотный динамик конического  
типа диаметром 16 см  
(с магнитным экранированием)

**Выходная мощность усилителя (100 Гц, 5 Ом,  
10% ОНИ).....** 50 Вт

**Частотная характеристика .....** 30 Гц - 160 Гц

## Источник питания

Модели для США и Канады  
..... 120 В перем. тока, 60 Гц

Модели для Великобритании и Европы  
..... 230 В перем. тока, 50 Гц

Модель для Австралии  
..... 240 В перем. тока, 50 Гц

Модель для Китая  
..... 220 В перем. тока 50 Гц

Модель для Кореи  
..... 220 В перем. тока 60 Гц

Модели для Азии и универсальные модели  
..... 110-120/220-240 В перем. тока, 50/60 Гц

**Энергопотребление .....** 40 Вт

**Размеры (Ш × В × Г) .....** 166 мм × 450 мм × 366 мм

**Вес .....** 10 кг

Обратите внимание, что все технические  
характеристики могут быть изменены без  
предварительного уведомления.

## Уход за сабвуфером

- Не применяйте химические составы для очистки акустической системы (например, спирт, растворители и т.д.): это может повредить отделочное покрытие. Используйте чистую сухую ткань. Для устранения сложных загрязнений смочите мягкую ткань в воде, отожмите ее и протрите место загрязнения.
- (Для модели с полировкой) Удары металлическими, фарфоровыми или другими жесткими предметами могут вызвать трещины или шелушение полировки цифрового пианино. Меры безопасности при эксплуатации.





